



University of Idaho
Theatre Arts

2024 Lighting Acquisition
UI Theatre
ISSUE FOR BID
3/25/2023
REVISION: 0

Description	ANSI E1.11/USITT DMX512-A-COMPLIANT CABLE WITH 5-PIN XLR CONNECTORS - 5FT.	Location	N/A	Type	AA-05

CODE	REVISION	DATE	SIGNATURE
AC5PDMX5PRO	DESCRIPTION DMX CABLE	2019.6.10	
REV			
PREFAB DMX CABLE:			



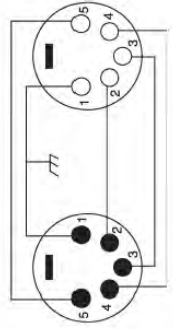
CABLE CONSTRUCTION:

DMX512 is a professional AES/EBU digital cable 470.34mm with flexible PVC covered overall jacket - OFC (Oxygen Free Copper) Conductor diameter: OFC lined 30x0.12 mm (0.0047 inches) with insulation, 1.2mm Nominal Impedance: 110ohm/Km Conductor resistance: $480\Omega/m/Km$ 1st Shield: lined copper 96x0.12 lined wire braided foil Shield resistance: 30ohm/Km Capacity inner conductor: 84 pF/m Working temperature min/Max: -20°C/+70°C



PVC Jacket
Braided 12 Braided TC Shield
Aluminum Foil
Cotton Paper
HDPE
4x19x0.15 TC
PP Filler

WIRING METHOD:



PRINTING WORD ON CABLE:

ACCU-CABLE - Quality High Performance Cables Designed To "Extend Your World" -



2024 Lighting Acquisition
ISSUE FOR BID

Contact:
Alana Shepherd
ashepherd@uidaho.edu
917 830 6922

Fixture Information	Manufacturer	Part Number				
	ACCU-CABLE	AC5PDMX5PRO				
	Mounting	Control Type		Input Watts	Voltage	Ballast/Trans/Drvr
	N/A	DMX				NONE
Source Info	Lamp Manufacturer	Lamp Info/Part #	# Lamps	Lamp Watts	Color/CCT	Finish
	N/A	N/A			N/A	BLACK
Notes						

Description	ANSI E1.11/USITT DMX512-A-COMPLIANT CABLE WITH 5-PIN XLR CONNECTORS - 10FT.	Location	N/A	Type	AA-10

REV	DESCRIPTION	DATE	SIGNATURE
	DMX CABLE	2019.6.10	



CABLE CONSTRUCTION:

DMX606 is a professional AES/EBU digital cable 470.34mm with flexible PVC covered overall jacket - OFC (Oxygen Free Copper) Conductor diameter: OFC lined 30x0.12 mm (0.0047 inches) with insulation, 1.2mm Nominal Impedance: 110ohm/Km Conductor resistance: $480\Omega/m/Km$ 1st Shield: lined copper 96"x0.12 lined wire braided foil Shield resistance: 30ohm/Km Capacity inner conductor: 84 pF/m Working temperature min/Max: -20°C/+70°C

WIRING METHOD:

PRINTING WORD ON CABLE:

ACCU-CABLE - Quality High Performance Cables Designed To "Extend Your World" -

	2024 Lighting Acquisition ISSUE FOR BID	Contact: Alana Shepherd ashepherd@uidaho.edu 917 830 6922
--	---	--

Fixture Information	Manufacturer	Part Number				
	ACCU-CABLE	AC5PDMX10PRO				
Source Info	Mounting	Control Type		Input Watts	Voltage	Ballast/Trans/Drv
	N/A	DMX				NONE
Notes	Lamp Manufacturer	Lamp Info/Part #	# Lamps	Lamp Watts	Color/CCT	Finish
	N/A	N/A			N/A	BLACK

Description	ANSI E1.11/USITT DMX512-A-COMPLIANT CABLE WITH 5-PIN XLR CONNECTORS - 25FT.	Location	N/A	Type	AA-25

REV	DESCRIPTION	DATE	SIGNATURE
	DMX CABLE	2019.6.10	



CABLE CONSTRUCTION:

DMX606 is a professional AES/EBU digital cable 470.34mm with flexible PVC covered overall jacket - OFC (Oxygen Free Copper) Conductor diameter: OFC lined 30x0.12 Conductor diameter: 1.2mm with insulation, 1.2mm Nominal impedance: 110ohm/Km Conductor resistance: $480\Omega/m/Km$ 1st Shield: lined copper 96"x0.12 lined wire braided foil Shield resistance: 30ohm/Km Capacity inner conductor: 84 pF/m Working temperature min/Max: -20°C/+70°C

PRINTING WORD ON CABLE:

ACCUCABLE - Quality High Performance Cables Designed To "Extend Your World" -

WIRING METHOD:

<p>REVISION</p> <table border="1"> <thead> <tr> <th>REV</th> <th>DESCRIPTION</th> <th>DATE</th> <th>SIGNATURE</th> </tr> </thead> <tbody> <tr> <td></td> <td>DMX CABLE</td> <td>2019.6.10</td> <td></td> </tr> </tbody> </table> <p>PREFAB DMX CABLE:</p>	REV	DESCRIPTION	DATE	SIGNATURE		DMX CABLE	2019.6.10		<p>CABLE CONSTRUCTION:</p> <p>DMX606 is a professional AES/EBU digital cable 470.34mm with flexible PVC covered overall jacket - OFC (Oxygen Free Copper) Conductor diameter: OFC lined 30x0.12 Conductor diameter: 1.2mm with insulation, 1.2mm Nominal impedance: 110ohm/Km Conductor resistance: <math>480\Omega/m/Km</math> 1st Shield: lined copper 96"x0.12 lined wire braided foil Shield resistance: 30ohm/Km Capacity inner conductor: 84 pF/m Working temperature min/Max: -20°C/+70°C</p> <p>PRINTING WORD ON CABLE:</p> <p>ACCUCABLE - Quality High Performance Cables Designed To "Extend Your World" -</p> <p>WIRING METHOD:</p>
REV	DESCRIPTION	DATE	SIGNATURE						
	DMX CABLE	2019.6.10							

University of Idaho
Theatre Arts

2024 Lighting Acquisition
ISSUE FOR BID

Contact:
Alana Shepherd
ashepherd@uidaho.edu
917 830 6922

Fixture Information	Manufacturer	Part Number				
	ACCUCABLE	AC5PDMX25PRO				
	Mounting	Control Type		Input Watts	Voltage	Ballast/Trans/Drv
Source Info	N/A	DMX				NONE
Notes	Lamp Manufacturer	Lamp Info/Part #	# Lamps	Lamp Watts	Color/CCT	Finish
	N/A	N/A			N/A	BLACK

Description	ANSI E1.11/USITT DMX512-A-COMPLIANT CABLE WITH 5-PIN XLR CONNECTORS - 50FT.	Location	N/A	Type	AA-50

REV	DESCRIPTION	DATE	SIGNATURE
	DMX CABLE	2019.6.10	



CABLE CONSTRUCTION:

DMX695 is a professional AES/EBU digital cable 470.34mm with flexible PVC covered overall jacket - OFC (Oxygen Free Copper) Conductor diameter: OFC lined 30x0.12 Conductor insulation: 1.2mm with 1.2mm Nominal Impedance: 110ohm/Km Conductor resistance: $480\Omega/m/Km$ 1st Shield: lined copper 96"0.12 lined wire braided foil Shield resistance: 30ohm/Km Capacity inner conductor: 84 pF/m Working temperature min/Max: -20°C/+70°C

PRINTING WORD ON CABLE:

ACCUCABLE - Quality High Performance Cables Designed To "Extend Your World" -

WIRING METHOD:

Fixture Information	Manufacturer	Part Number				
	ACCUCABLE	AC5PDMX50PRO				
	Mounting	Control Type		Input Watts	Voltage	Ballast/Trans/Drv
Source Info	Lamp Manufacturer	Lamp Info/Part #	# Lamps	Lamp Watts	Color/CCT	Finish
Notes	N/A	N/A			N/A	BLACK

University of Idaho
Theatre Arts

2024 Lighting Acquisition
ISSUE FOR BID

Contact:
Alana Shepherd
ashepherd@uidaho.edu
917 830 6922

Description

6-CIRCUIT 12AWG 14-CONDUCTOR MULTI CABLE WITH 19-PIN CONNECTORS - 50FT.

Location

N/A

Type

AB-50

Pro Cables™

6-CIRCUIT MULTICABLE ASSEMBLIES 14-CONDUCTOR / 19-PIN



Description

TMB Pro Cables offers a comprehensive range of cable assemblies, serving the needs of lighting, audio, video, and power distribution professionals in the entertainment production and staging industry. Dependable, highest quality 6-Circuit Assemblies feature the attention to detail that puts Pro Cables assemblies in a class of their own. Available with TMB ProSeries or KC 19-pin connectors and a range of TMB ProCable or Starcable 14-conductor multicables.

Features

- TMB Pro Cables proven, quality construction, rigorous QC and Rush Service Normal
- Intended to carry six 15 - 20 Amp circuits in a single cable, 14-conductor multicable offers a lighter weight solution for applications where bussed grounds are acceptable. A TMB First, now the industry standard for six lighting circuits in North America and most other 120V countries.
- Unique to TMB, our Pro Cables 6-Circuit Assemblies made in North America are cCSAus Listed for extra-hard usage and therefore fully compliant with the NEC for use in all stage, studio and event applications
- Available in 12 AWG (4mm²), and 14 AWG (2.5mm²)
- All black construction ideal for stage and set lighting applications, White ProCable 12/14 cable also available.
- Labeling for length, standard
- High quality, custom printed Customer ID cable labeling, optional
- Sash cord cable tie, optional
- Kellum grips available

Applications

Six circuits of 100 to 240 VAC power in a single cable. Suitable for dimmed or constant power lighting and video applications in Concerts, Touring, Theatre, Film and Television Production.

Available Cables

- ProCable™ 12/14 - 12 AWG 14C Multicable
- ProCable™ 12/14 - 12 AWG 14C White Multicable
- ProCable™ 14/14 - 14 AWG 14C Multicable
- Starcable™ 12/14 - 12 AWG 14C Multicable

Available Connectors

- ProSeries™ 19-Pin Connectors-Solder
- ProSeries™ 19-Pin Connectors-Crimp [special order]
- KC™ 19-Pin Connectors-Solder

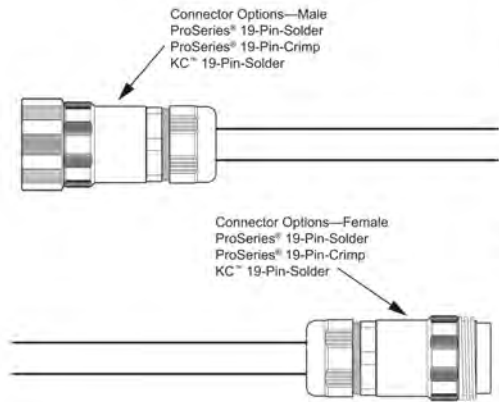
Certifications

Unique to TMB
cCSAus

The First and Still the Best!

TMB Pro Cables - High-quality custom cable assemblies for the entertainment production and staging industry since 1983! Over 60 highly skilled assembly technicians worldwide. Well over 400 years combined experience! Rigorous testing and quality control. Famous TMB Rush Service Normal!

MADE IN THE USA



Los Angeles +1 818.899.8818 London +44 (0)20.8574.9700 New York +1 201.896.8600 Toronto +1 519.538.0888 Beijing +86 10.8492.1587 Riga +37 16.868.8955



© 2022, TMB. All rights reserved. 8 Wiring 13 February 2022. Specifications are subject to change without notice. This information is provided as preliminary subject to contract.

1 / 3

Contact:
Alana Shepherd
ashepherd@uidaho.edu
917 830 6922

2024 Lighting Acquisition
ISSUE FOR BID

University of Idaho
Theatre Arts



Fixture Information	Manufacturer		Part Number				
	TMB		Z-1214-PSP-50				
	Mounting		Control Type		Input Watts	Voltage	Ballast/Trans/Drvr
Source Info	N/A		N/A				NONE
	Lamp Manufacturer	Lamp Info/Part #	# Lamps	Lamp Watts	Color/CCT		Finish
Notes	N/A	N/A			N/A		BLACK

Description	6-CIRCUIT 12AWG 14-CONDUCTOR MULTI CABLE WITH 19-PIN CONNECTORS - 50FT.	Location	N/A	Type
				AB-50

Pro Cables™

6-CIRCUIT MULTICABLE ASSEMBLIES 14-CONDUCTOR / 19-PIN

ProCable™ 6-Circuit Multicables

PC1214T

Extra heavy-duty portable (indoor/outdoor) 12 AWG (3.3mm²), 14-conductor, 600V 105C round cable with PVC thermoplastic insulation (UL 1015) jacketed in black, proprietary pressure-extruded thermoplastic compound (UL/cUL, style 2586).

Full specifications at: <https://tmb.com/docs/procable/pdf/ProCable-LTR-web.pdf>

PC1214WE

Extra heavy-duty portable (indoor/outdoor) 12 AWG (3.3mm²), 14-conductor (UL 1581), 600V 105C round cable with PVC thermoplastic insulation (UL 1015) jacketed in white, proprietary pressure-extruded thermoplastic compound (UL/cUL, style 2586).

Full specifications at: <https://tmb.com/docs/procable/pdf/ProCable-LTR-web.pdf>

PC1414

Extra heavy-duty portable (indoor/outdoor) 14 AWG (2.1mm²), 14-conductor (UL 1581), 600V 105C round cable with PVC thermoplastic insulation (UL 1015) jacketed in black, proprietary pressure-extruded thermoplastic compound (UL/cUL, style 2586).

Full specifications at: <https://tmb.com/docs/procable/pdf/ProCable-LTR-web.pdf>

StarCable® 6-Circuit Multicables

WDP1214T

Heavy-duty portable (indoor/outdoor) 12 AWG (3.3mm²), 14-conductor (UL 1015), 600V 105C round cable with PVC insulation (UL 1015) jacketed in black, pressure-extruded PVC compound (UL/cUL, style 2586).

Full specifications at: <https://tmb.com/docs/starcable/StarCable-Multi-LTR-web.pdf>



Los Angeles +1 818.899.8818 London +44 (0)20.8574.9700 New York +1 201.896.8600 **tmb** Toronto +1 519.538.0888 Beijing +86 10.8492.1587 Riga +37 16.868.8955
tmbprocables.com sales@tmb.com

© 2022, TMB. All rights reserved. 8/16/22; 13 February 2022
Distributions are subject to change without notice. This information supersedes all previously issued information.

2 / 3

Contact:
Alana Shepherd
ashepherd@uidaho.edu
917 830 6922

2024 Lighting Acquisition
ISSUE FOR BID

University of Idaho
Theatre Arts



Fixture Information	Manufacturer	Part Number				
	TMB	Z-1214-PSP-50				
	Mounting	Control Type	Input Watts	Voltage	Ballast/Trans/Drv	
	N/A	N/A			NONE	
Source Info	Lamp Manufacturer	Lamp Info/Part #	# Lamps	Lamp Watts	Color/CCT	Finish
	N/A	N/A			N/A	BLACK
Notes						

Description

6-CIRCUIT 12AWG 14-CONDUCTOR MULTI CABLE WITH 19-PIN CONNECTORS - 50FT.

Location

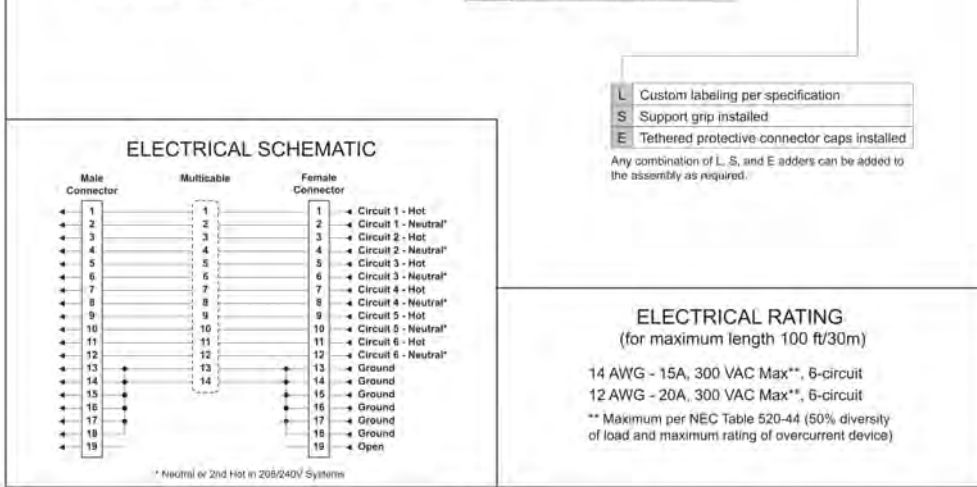
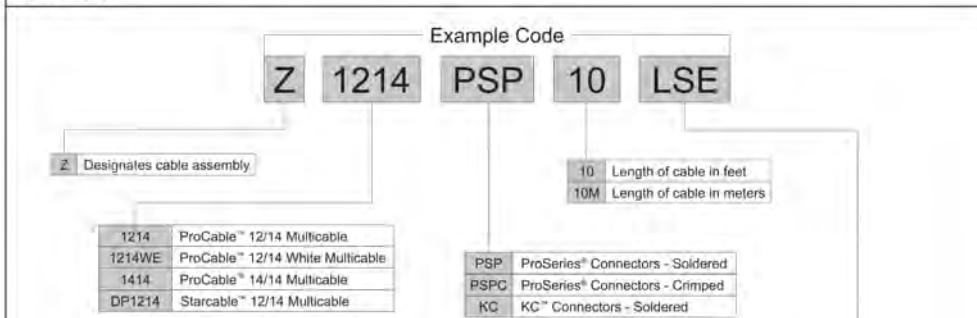
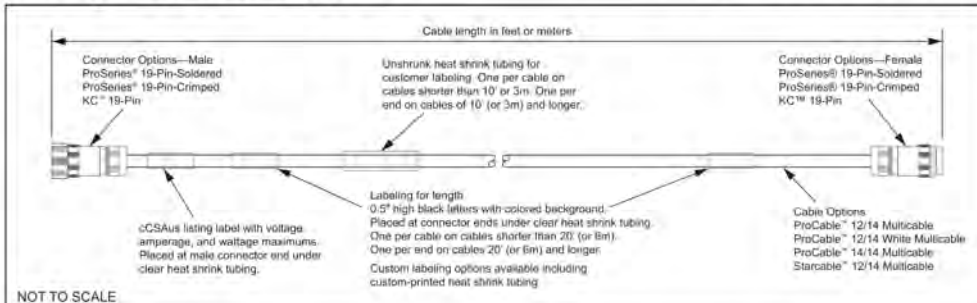
N/A

Type

AB-50

Pro Cables™

6-CIRCUIT MULTICABLE ASSEMBLIES 14-CONDUCTOR / 19-PIN



ELECTRICAL RATING

(for maximum length 100 ft/30m)

14 AWG - 15A, 300 VAC Max**, 6-circuit
12 AWG - 20A, 300 VAC Max**, 6-circuit

** Maximum per NEC Table 520-44 (50% diversity of load and maximum rating of overcurrent device)

Los Angeles +1 818.899.8818 London +44 (0)20.8574.9700 New York +1 201.896.8600 Toronto +1 519.538.0888 Beijing +86 10.8492.1587 Riga +37 16.868.8955

tmb
tmbcables.com
sales@tmb.com

© 2015 TMB. All rights reserved. Printing 11 February 2015.
Some stock may be subject to change without notice. The information is subject to our standard terms and conditions.

Contact:
Alana Shepherd
ashepherd@uidaho.edu
917 830 6922

2024 Lighting Acquisition
ISSUE FOR BID

University of Idaho
Theatre Arts



Fixture Information	Manufacturer		Part Number				
	TMB		Z-1214-PSP-50				
	Mounting		Control Type		Input Watts	Voltage	Ballast/Trans/Drv
Source Info	N/A		N/A				NONE
	Lamp Manufacturer	Lamp Info/Part #	# Lamps	Lamp Watts	Color/CCT	Finish	
Notes	N/A	N/A			N/A	BLACK	

Description

6-CIRCUIT 12AWG 14-CONDUCTOR MULTI CABLE WITH 19-PIN CONNECTORS - 75FT.

Location

N/A

Type

AB-75

Pro Cables™

6-CIRCUIT MULTICABLE ASSEMBLIES 14-CONDUCTOR / 19-PIN



Description

TMB Pro Cables offers a comprehensive range of cable assemblies, serving the needs of lighting, audio, video, and power distribution professionals in the entertainment production and staging industry.

Dependable, highest quality 6-Circuit Assemblies feature the attention to detail that puts Pro Cables assemblies in a class of their own. Available with TMB ProSeries or KC 19-pin connectors and a range of TMB ProCable or Starcable 14-conductor multicables.

Features

- TMB Pro Cables proven, quality construction, rigorous QC and Rush Service Normal
- Intended to carry six 15 - 20 Amp circuits in a single cable, 14-conductor multicable offers a lighter weight solution for applications where bussed grounds are acceptable. A TMB First, now the industry standard for six lighting circuits in North America and most other 120V countries.
- Unique to TMB, our Pro Cables 6-Circuit Assemblies made in North America are cCSAus Listed for extra-hard usage and therefore fully compliant with the NEC for use in all stage, studio and event applications
- Available in 12 AWG (4mm²), and 14 AWG (2.5mm²)
- All black construction ideal for stage and set lighting applications, White ProCable 12/14 cable also available.
- Labeling for length, standard
- High quality, custom printed Customer ID cable labeling, optional
- Sash cord cable tie, optional
- Kellum grips available

Applications

Six circuits of 100 to 240 VAC power in a single cable. Suitable for dimmed or constant power lighting and video applications in Concerts, Touring, Theatre, Film and Television Production.

Available Cables

- ProCable™ 12/14 - 12 AWG 14C Multicable
- ProCable™ 12/14 - 12 AWG 14C White Multicable
- ProCable™ 14/14 - 14 AWG 14C Multicable
- Starcable™ 12/14 - 12 AWG 14C Multicable

Available Connectors

- ProSeries™ 19-Pin Connectors-Solder
- ProSeries™ 19-Pin Connectors-Crimp [special order]
- KC™ 19-Pin Connectors-Solder

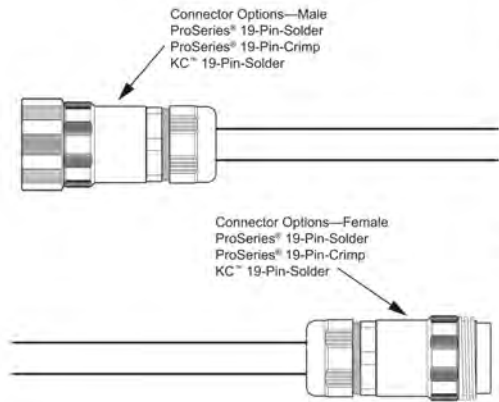
Certifications

Unique to TMB
cCSAus

The First and Still the Best!

TMB Pro Cables - High-quality custom cable assemblies for the entertainment production and staging industry since 1983! Over 60 highly skilled assembly technicians worldwide. Well over 400 years combined experience! Rigorous testing and quality control. Famous TMB Rush Service Normal!

MADE IN THE USA



Los Angeles
+1 818.899.8818

London
+44 (0)20.8574.9700

New York
+1 201.896.8600



Toronto
+1 519.538.0888

Beijing
+86 10.8492.1587

Riga
+37 16.868.8955

© 2022, TMB. All rights reserved. 8 Wiring 11 February 2022. Specifications are subject to change without notice. This information is provided as preliminary subject to agreement.

1 / 8

Contact:
Alana Shepherd
ashepherd@uidaho.edu
917 830 6922

2024 Lighting Acquisition
ISSUE FOR BID

University of Idaho
Theatre Arts



Fixture Information	Manufacturer		Part Number				
	TMB		Z-1214-PSP-75				
	Mounting		Control Type		Input Watts	Voltage	Ballast/Trans/Drv
Source Info	N/A		N/A				NONE
	Lamp Manufacturer	Lamp Info/Part #	# Lamps	Lamp Watts	Color/CCT		Finish
Notes	N/A	N/A			N/A		BLACK

Description	6-CIRCUIT 12AWG 14-CONDUCTOR MULTI CABLE WITH 19-PIN CONNECTORS - 75FT.	Location	N/A	Type
				AB-75

Pro Cables™

6-CIRCUIT MULTICABLE ASSEMBLIES 14-CONDUCTOR / 19-PIN

ProCable™ 6-Circuit Multicables

PC1214T

Extra heavy-duty portable (indoor/outdoor) 12 AWG (3.3mm²), 14-conductor, 600V 105C round cable with PVC thermoplastic insulation (UL 1015) jacketed in black, proprietary pressure-extruded thermoplastic compound (UL/cUL, style 2586).

Full specifications at: <https://tmb.com/docs/procable/pdf/ProCable-LTR-web.pdf>

PC1214WE

Extra heavy-duty portable (indoor/outdoor) 12 AWG (3.3mm²), 14-conductor (UL 1581), 600V 105C round cable with PVC thermoplastic insulation (UL 1015) jacketed in white, proprietary pressure-extruded thermoplastic compound (UL/cUL, style 2586).

Full specifications at: <https://tmb.com/docs/procable/pdf/ProCable-LTR-web.pdf>

PC1414

Extra heavy-duty portable (indoor/outdoor) 14 AWG (2.1mm²), 14-conductor (UL 1581), 600V 105C round cable with PVC thermoplastic insulation (UL 1015) jacketed in black, proprietary pressure-extruded thermoplastic compound (UL/cUL, style 2586).

Full specifications at: <https://tmb.com/docs/procable/pdf/ProCable-LTR-web.pdf>

StarCable® 6-Circuit Multicables

WDP1214T

Heavy-duty portable (indoor/outdoor) 12 AWG (3.3mm²), 14-conductor (UL 1015), 600V 105C round cable with PVC insulation (UL 1015) jacketed in black, pressure-extruded PVC compound (UL/cUL, style 2586).

Full specifications at: <https://tmb.com/docs/starcable/StarCable-Multi-LTR-web.pdf>



Los Angeles +1 818.899.8818	London +44 (0)20.8574.9700	New York +1 201.896.8600	tmb tmbprocables.com sales@tmb.com	Toronto +1 519.538.0888	Beijing +86 10.8492.1587	Riga +37 16.868.8955
--------------------------------	-------------------------------	-----------------------------	---	----------------------------	-----------------------------	-------------------------

© 2022, TMB. All rights reserved. 8/16/22; 13 February 2022. Specifications are subject to change without notice. This information supersedes all previously issued information.

Contact:
Alana Shepherd
ashepherd@uidaho.edu
917 830 6922

2024 Lighting Acquisition
ISSUE FOR BID

University of Idaho
Theatre Arts



Fixture Information	Manufacturer	Part Number				
	TMB	Z-1214-PSP-75				
	Mounting	Control Type	Input Watts	Voltage	Ballast/Trans/Drv	
	N/A	N/A			NONE	
Source Info	Lamp Manufacturer	Lamp Info/Part #	# Lamps	Lamp Watts	Color/CCT	Finish
	N/A	N/A			N/A	BLACK
Notes						

Description

6-CIRCUIT 12AWG 14-CONDUCTOR MULTI CABLE WITH 19-PIN CONNECTORS - 75FT.

Location

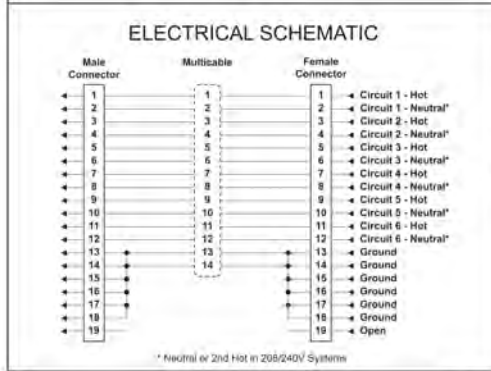
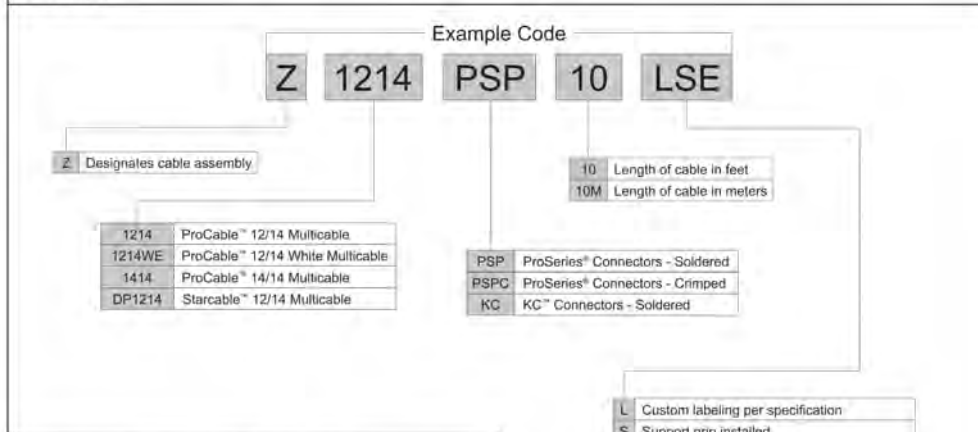
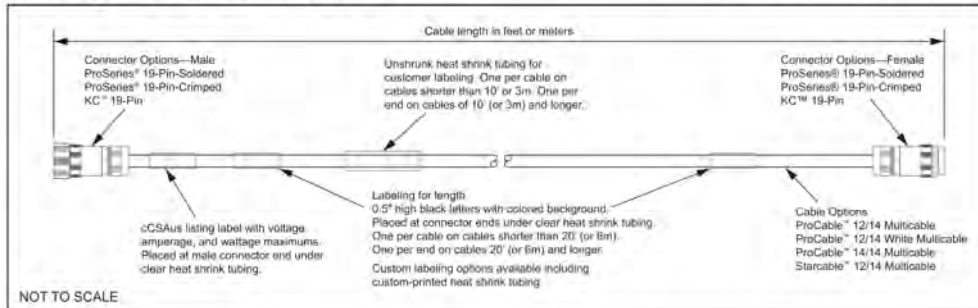
N/A

Type

AB-75

Pro Cables™

6-CIRCUIT MULTICABLE ASSEMBLIES 14-CONDUCTOR / 19-PIN



ELECTRICAL RATING

(for maximum length 100 ft/30m)

14 AWG - 15A, 300 VAC Max**, 6-circuit
12 AWG - 20A, 300 VAC Max**, 6-circuit

** Maximum per NEC Table 520-44 (50% diversity of load and maximum rating of overcurrent device)

Los Angeles +1 818.899.8818 | London +44 (0)20.8574.9700 | New York +1 201.896.8600 | Toronto +1 519.538.0888 | Beijing +86 10.8492.1587 | Riga +37 16.868.8955

tmb
tmbprocables.com
sales@tmb.com

© 2023 TMB. All rights reserved. Printing 11 February 2023.
Some items are subject to change without notice. The information is provided as a general guide only.

Contact:
Alana Shepherd
ashepherd@uidaho.edu
917 830 6922

2024 Lighting Acquisition
ISSUE FOR BID

University of Idaho
Theatre Arts



Fixture Information	Manufacturer		Part Number				
	TMB		Z-1214-PSP-75				
	Mounting		Control Type		Input Watts	Voltage	Ballast/Trans/Drv
Source Info	N/A		N/A				NONE
	Lamp Manufacturer	Lamp Info/Part #	# Lamps	Lamp Watts	Color/CCT	Finish	
Notes	N/A	N/A			N/A	BLACK	

Description

6-CIRCUIT 12AWG BREAKOUT WITH STAGGERED STAGE PIN SOCKET CONNECTORS

Location

N/A

Type

AC

Pro Cables™

6-CIRCUIT BREAK-IN/BREAK-OUT MULTICABLE ASSEMBLIES



Description

Featuring ProSeries® and KC™ 19-pin connectors, a comprehensive line of Break-in/Break-out assemblies are available with a variety of connector options and rugged 12 AWG C3 Type SJOOW cable hard usage. Highly customizable, Pro Cables Break-in/Break-out assemblies are in a class of their own.

Features

- Expertly constructed and clearly labeled for reliable, easy use.
- Available in staggered, straight or custom configurations, built to your specs as required
- Unique to TMB, our Pro Cables assemblies made in North America are cCSAus listed for hard usage, fully compliant with NEC codes for use in stage, studio and event applications.

Applications

Concert tours; Theatre; Motion Pictures; Television production

Available Cables

- 12 AWG 3C Type SJOOW Hard Usage
- 14 AWG 3C Type SJOOW Hard Usage
- 16 AWG 3C Type SJOOW Hard Usage

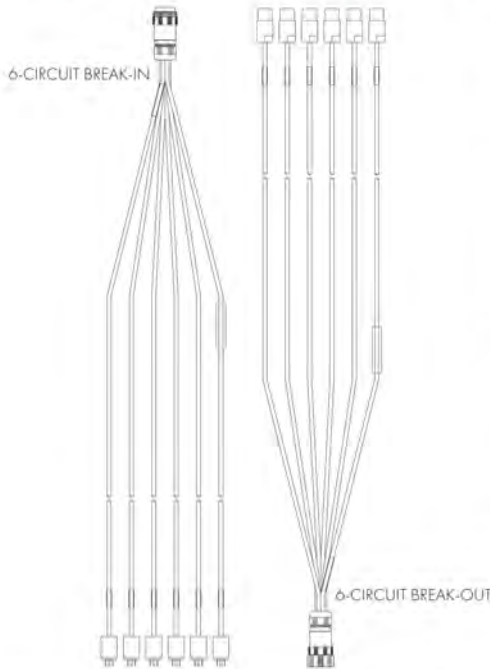
Available 19-Pin Connectors

- ProSeries™ 19-Pin
- KC™ 19-Pin

Available Circuit Connectors

- Hubbell™ NEMA L5-20 20A Twist-Lock--All Black
- Hubbell™ NEMA L6-20 20A Twist-Lock--All Black
- Hubbell™ NEMA 5-15 15A Edison--All Black
- Hubbell™ NEMA 5-20 20A Edison--All Black
- Neutrik TRUE1 TOP™
- Neutrik PowerCon™
- ProPin® 20A Stage Pin

Certifications



The First and Still the Best!

TMB Pro Cables – High-quality custom cable assemblies for the entertainment production and staging industry since 1983! Over 60 highly skilled assembly technicians worldwide. Well over 400 years combined experience! Rigorous testing and quality control. Famous TMB Rush Service Normal!

MADE IN THE USA

Los Angeles
+1 818.899.8818

London
+44 (0)20.8574.9700

New York
+1 201.896.8600



Toronto
+1 519.538.0888

Beijing
+86 10.8492.1587

Riga
+37 16.868.8955

© 2022, TMB. All rights reserved. 8-Biting-19 February 2022. Specifications are subject to change without notice. This information constitutes all preliminary agreed information.

1 of 4

Contact:
Alana Shepherd
ashepherd@uidaho.edu
917 830 6922

2024 Lighting Acquisition
ISSUE FOR BID

University of Idaho
Theatre Arts



Fixture Information	Manufacturer		Part Number				
	TMB		Z-B06-PS-SP-ST-12				
	Mounting		Control Type		Input Watts	Voltage	Ballast/Trans/Drv
Source Info	N/A		N/A				NONE
	Lamp Manufacturer	Lamp Info/Part #	# Lamps	Lamp Watts	Color/CCT	Finish	
Notes	STAGGERED AT 2FT. O.C.						
	N/A	N/A			N/A	BLACK	

Description	6-CIRCUIT 12AWG BREAKOUT WITH STAGGERED STAGE PIN SOCKET CONNECTORS	Location	N/A	Type
				AC

Pro Cables™

6-CIRCUIT BREAK-IN/BREAK-OUT MULTICABLE ASSEMBLIES

Type SJOOW Cable

Type SJOOW cables are widely-used, general-purpose portable power cables, available under various brands from various manufacturers. The SJOOW cables used in TMB Pro Cables' assemblies are typically General™, Southwire™, or TF™ brand, although we may use other quality brands as circumstances dictate. SJOOW Cables are all UL listed for hard usage.

Heavy-duty portable (indoor/outdoor) 3-conductor, 300V round cable, with black abrasion-, weather-, water-, and UV-resistant rubber jacket. Stranded bare copper conductors. Conductor color code: black, white, green. Temperature range: -40° to +90° C. Assemblies CSA listed for hard usage.

Part Number	Size	No. of Conductors	Stranding		Nom. Insulation Thickness		Nom. Overall Diameter		Approx. Weight	Current Max.*
	AWG		#/AWG	Inch	mm	Inch	mm	Lbs/1Kft	Amps	
WSJO123	12	3	65/30	0.030	0.76	0.43	10.9	131	25	
WSJO143	14	3	41/30	0.030	0.76	0.36	9.2	88	18	
WSJO163	16	3	26/30	0.030	0.76	0.33	8.4	66	13	

* Ampacities based on NEC Table 400.5(A)(1). Green conductor for grounding only.



Los Angeles +1 818.899.8818 London +44 (0)20.8574.9700 New York +1 201.896.8600 **tmb** Toronto +1 519.538.0888 Beijing +86 10.8492.1587 Riga +37 16.868.8955
 tmbprocables.com sales@tmb.com

Contact:
Alana Shepherd
ashepherd@uidaho.edu
917 830 6922

2024 Lighting Acquisition
ISSUE FOR BID

University of Idaho
Theatre Arts

Fixture Information	Manufacturer	Part Number					
	TMB	Z-B06-PS-SP-ST-12					
	Mounting	Control Type		Input Watts	Voltage	Ballast/Trans/Drv	
Source Info	Lamp Manufacturer	Lamp Info/Part #	# Lamps	Lamp Watts	Color/CCT	Finish	
Notes	N/A	N/A			N/A	BLACK	
	STAGGERED AT 2FT. O.C.						

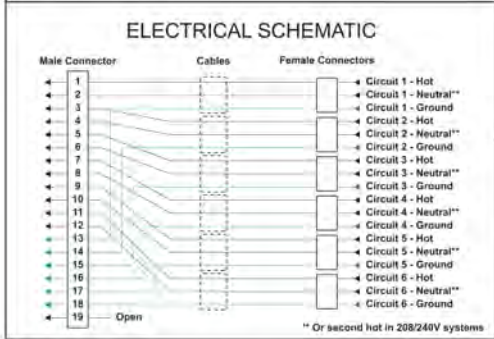
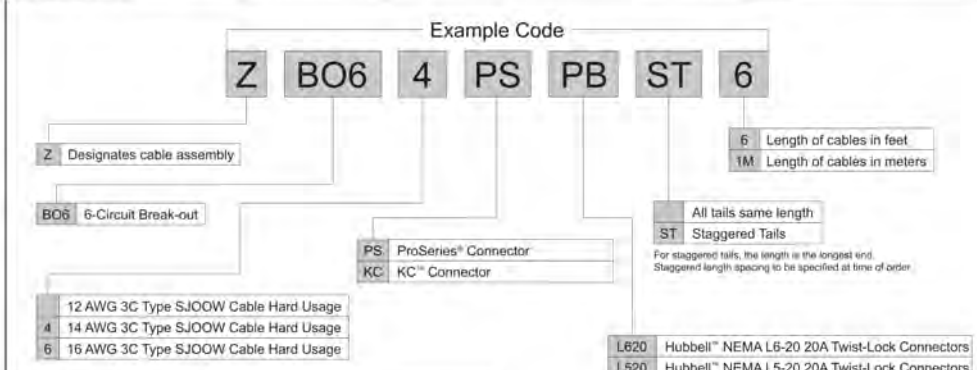
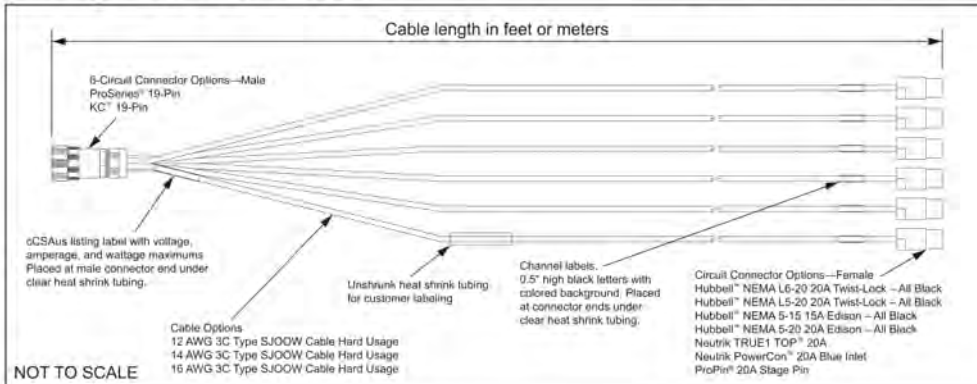
Description
6-CIRCUIT 12AWG BREAKOUT WITH STAGGERED STAGE PIN SOCKET CONNECTORS

Location
N/A

Type
AC

Pro Cables™

6-CIRCUIT BREAK-OUT MULTICABLE ASSEMBLIES



ELECTRICAL RATING

12 AWG with 5-20, L5-20, or Stage Pin connectors – 20A, 125 VAC Max*, 2-Pole, 3-Wire

12 AWG with L6-20, PowerCon, or True1 connectors – 20A, 250 VAC Max*, 2-Pole, 3-Wire

12 AWG with 5-15 connectors – 15A, 125 VAC Max*, 2-Pole, 3-Wire

14 AWG with 5-20, L5-20, or Stage Pin connectors – 15A, 125 VAC Max*, 2-Pole, 3-Wire

14 AWG with L6-20, PowerCon, or True1 connectors – 15A, 250 VAC Max*, 2-Pole, 3-Wire

16 AWG with 5-20, L5-20, or Stage Pin connectors – 10A, 125 VAC Max*, 2-Pole, 3-Wire

16 AWG with L6-20, PowerCon, or True1 connectors – 10A, 250 VAC Max*, 2-Pole, 3-Wire

*** Maximum per NEC Table 520-44 (50% diversity of load and maximum rating of overcurrent device)**

Los Angeles +1 818.899.8818 London +44 (0)20.8574.9700 New York +1 201.896.8600 Toronto +1 519.538.0888 Beijing +86 10.8492.1587 Riga +37 16.868.8955

tmb
tmbprocables.com
sales@tmb.com

© 2016 TMB. All rights reserved. Printing on Recycled paper.
Reproduction and use without the written consent of TMB. Distribution of this document is prohibited without the written consent of TMB.

Contact:
Alana Shepherd
ashepherd@uidaho.edu
917 830 6922

2024 Lighting Acquisition
ISSUE FOR BID

University of Idaho
Theatre Arts



Fixture Information	Manufacturer		Part Number					
	TMB		Z-BO6-PS-SP-ST-12					
	Mounting		Control Type		Input Watts	Voltage	Ballast/Trans/Drv	
Source Info	Lamp Manufacturer		Lamp Info/Part #		# Lamps	Lamp Watts	Color/CCT	Finish
	N/A		N/A				N/A	BLACK
Notes	STAGGERED AT 2FT. O.C.							

Description

6-CIRCUIT 12AWG BREAK-IN WITH STAGE PIN PLUG CONNECTORS

Location

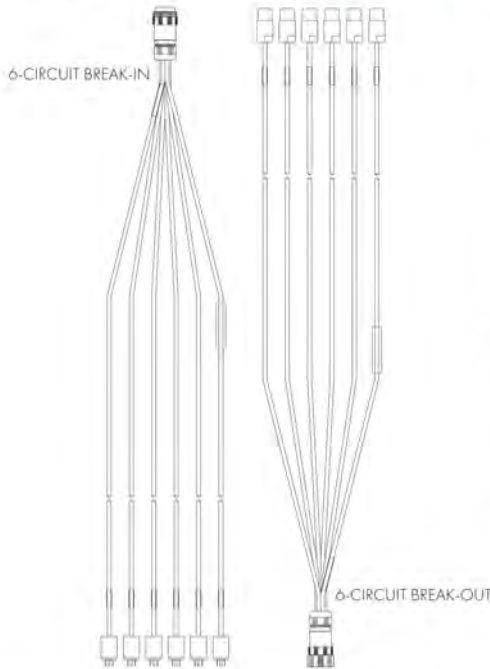
N/A

Type

AD

Pro Cables™

6-CIRCUIT BREAK-IN/BREAK-OUT MULTICABLE ASSEMBLIES



Description

Featuring ProSeries® and KC™ 19-pin connectors, a comprehensive line of Break-in/Break-out assemblies are available with a variety of connector options and rugged 12 AWG C3 Type SJOOW cable hard usage. Highly customizable, Pro Cables Break-in/Break-out assemblies are in a class of their own.

Features

- Expertly constructed and clearly labeled for reliable, easy use.
- Available in staggered, straight or custom configurations, built to your specs as required
- Unique to TMB, our Pro Cables assemblies made in North America are cCSAus listed for hard usage, fully compliant with NEC codes for use in stage, studio and event applications.

Applications

Concert tours; Theatre; Motion Pictures; Television production

Available Cables

- 12 AWG 3C Type SJOOW Hard Usage
- 14 AWG 3C Type SJOOW Hard Usage
- 16 AWG 3C Type SJOOW Hard Usage

Available 19-Pin Connectors

- ProSeries™ 19-Pin
- KC™ 19-Pin

Available Circuit Connectors

- Hubbell™ NEMA L5-20 20A Twist-Lock--All Black
- Hubbell™ NEMA L6-20 20A Twist-Lock--All Black
- Hubbell™ NEMA 5-15 15A Edison--All Black
- Hubbell™ NEMA 5-20 20A Edison--All Black
- Neutrik TRUE1 TOP™
- Neutrik PowerCon™
- ProPin® 20A Stage Pin

Certifications



The First and Still the Best!

TMB Pro Cables – High-quality custom cable assemblies for the entertainment production and staging industry since 1983! Over 60 highly skilled assembly technicians worldwide. Well over 400 years combined experience! Rigorous testing and quality control. Famous TMB Rush Service Normal!

MADE IN THE USA

Los Angeles
+1 818.899.8818

London
+44 (0)20.8574.9700

New York
+1 201.896.8600



Toronto
+1 519.538.0888

Beijing
+86 10.8492.1587

Riga
+37 16.868.8955

© 2022, TMB. All rights reserved. 8-Biting-19 February 2022. Specifications are subject to change without notice. This information is subject to preliminary approval only.

1 of 4

Contact:
Alana Shepherd
ashepherd@uidaho.edu
917 830 6922

2024 Lighting Acquisition
ISSUE FOR BID

University of Idaho
Theatre Arts



Fixture Information	Manufacturer		Part Number				
	TMB		Z-BI6-PS-SP-6				
	Mounting		Control Type		Input Watts	Voltage	Ballast/Trans/Drv
Source Info	N/A		N/A				NONE
	Lamp Manufacturer	Lamp Info/Part #	# Lamps	Lamp Watts	Color/CCT	Finish	
Notes	N/A	N/A			N/A	BLACK	

Pro Cables™

6-CIRCUIT BREAK-IN/BREAK-OUT MULTICABLE ASSEMBLIES

Type SJOOW Cable

Type SJOOW cables are widely-used, general-purpose portable power cables, available under various brands from various manufacturers. The SJOOW cables used in TMB Pro Cables' assemblies are typically General™, Southwire™, or TF™ brand, although we may use other quality brands as circumstances dictate. SJOOW Cables are all UL listed for hard usage.

Heavy-duty portable (indoor/outdoor) 3-conductor, 300V round cable, with black abrasion-, weather-, water-, and UV-resistant rubber jacket. Stranded bare copper conductors. Conductor color code: black, white, green. Temperature range: -40° to +90° C. Assemblies CSA listed for hard usage.

Part Number	Size	No. of Conductors	Stranding		Nom. Insulation Thickness		Nom. Overall Diameter		Approx. Weight	Current Max.*
	AWG		#/AWG	Inch	mm	Inch	mm	Lbs/1Kft	Amps	
WSJO123	12	3	65/30	0.030	0.76	0.43	10.9	131	25	
WSJO143	14	3	41/30	0.030	0.76	0.36	9.2	88	18	
WSJO163	16	3	26/30	0.030	0.76	0.33	8.4	66	13	

* Ampacities based on NEC Table 400.5(A)(1). Green conductor for grounding only.



Los Angeles +1 818.899.8818	London +44 (0)20.8574.9700	New York +1 201.896.8600	tmb tmbprocables.com sales@tmb.com	Toronto +1 519.538.0888	Beijing +86 10.8492.1587	Riga +37 16.868.8955
--------------------------------	-------------------------------	-----------------------------	---	----------------------------	-----------------------------	-------------------------

© 2022, TMB. All rights reserved. 8 Wiring 10 February 2022. Specifications are subject to change without notice. This information constitutes an preliminary proposal only.

Contact:
Alana Shepherd
ashepherd@uidaho.edu
917 830 6922

2024 Lighting Acquisition
ISSUE FOR BID

University of Idaho
Theatre Arts



Fixture Information	Manufacturer		Part Number				
	TMB		Z-BI6-PS-SP-6				
	Mounting		Control Type		Input Watts	Voltage	Ballast/Trans/Drv
Source Info	N/A		N/A				NONE
	Lamp Manufacturer	Lamp Info/Part #		# Lamps	Lamp Watts	Color/CCT	Finish
	N/A	N/A				N/A	BLACK
Notes							

Description

6-CIRCUIT 12AWG BREAK-IN WITH STAGE PIN PLUG CONNECTORS

Location

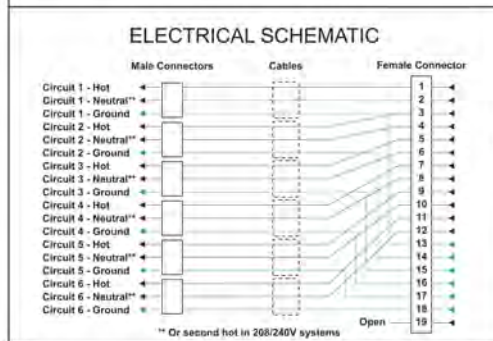
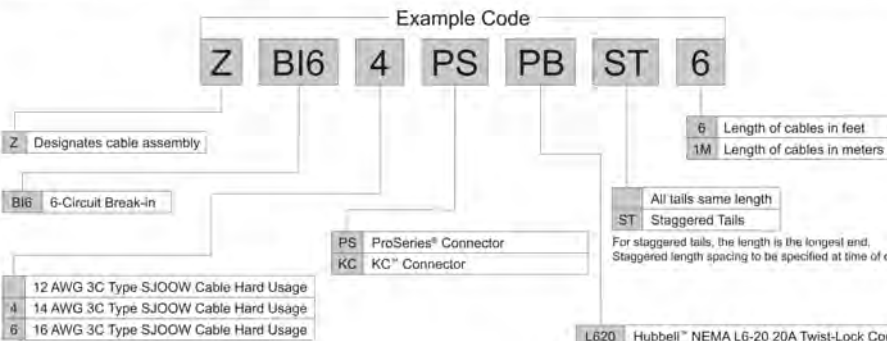
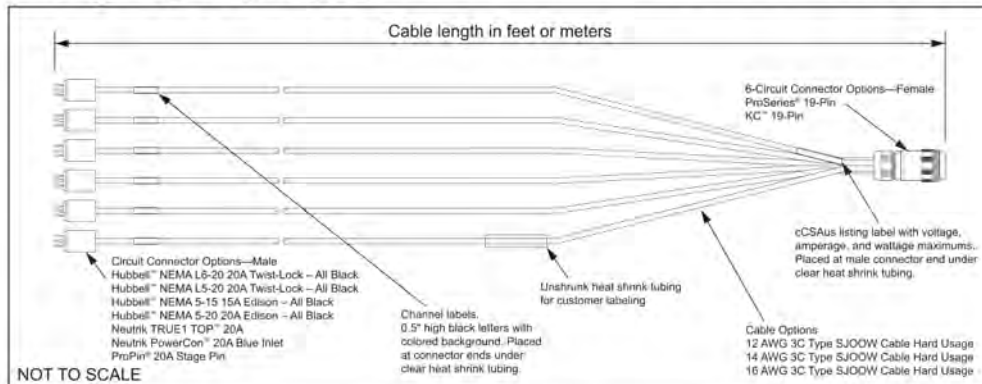
N/A

Type

AD

Pro Cables™

6-CIRCUIT BREAK-IN MULTICABLE ASSEMBLIES



ELECTRICAL RATING

12 AWG with 5-20, L5-20, or Stage Pin connectors – 20A, 125 VAC Max*, 2-Pole, 3-Wire
12 AWG with L6-20, PowerCon, or True1 connectors – 20A, 250 VAC Max*, 2-Pole, 3-Wire
12 AWG with 5-15 connectore – 15A, 125 VAC Max*, 2-Pole, 3-Wire
14 AWG with 5-20, L5-20, or Stage Pin connectors – 15A, 125 VAC Max*, 2-Pole, 3-Wire
14 AWG with L6-20, PowerCon, or True1 connectors – 15A, 250 VAC Max*, 2-Pole, 3-Wire
16 AWG with 5-20, L5-20, or Stage Pin connectors – 10A, 125 VAC Max*, 2-Pole, 3-Wire
16 AWG with L6-20, PowerCon, or True1 connectors – 10A, 250 VAC Max*, 2-Pole, 3-Wire

* Maximum per NEC Table 520-44 (50% diversity of load and maximum rating of overcurrent device)

Los Angeles +1 818.899.8818 London +44 (0)20.8574.9700 New York +1 201.896.8600 Toronto +1 519.538.0888 Beijing +86 10 8492.1587 Riga +37 16.868.8955

tmb
 tmbprocables.com
 sales@tmb.com

Contact:
 Alana Shepherd
 ashepherd@uidaho.edu
 917 830 6922

2024 Lighting Acquisition
 ISSUE FOR BID

University of Idaho
 Theatre Arts



Fixture Information	Manufacturer		Part Number			
	TMB		Z-BI6-PS-SP-6			
	Mounting		Control Type	Input Watts	Voltage	Ballast/Trans/Drv
Source Info	Lamp Manufacturer	Lamp Info/Part #	# Lamps	Lamp Watts	Color/CCT	Finish
	N/A	N/A			N/A	BLACK
Notes						

Description	FOUR-LEAF BARDOOR FOR 7.5" ACCESSORY HOLDERS	Location	N/A	Type	AE

Beam Control

CITY THEATRICAL

NEW YORK • LONDON

Barndoors



Barndoors provide adjustable beam control. Movable doors can be set to cut off stray beams where needed, such as off of scenery or projection screens.

PART NUMBER	NAME	A	B	C
2230	Gantom DMX FL	1 1/4"	1 1/4"	3/4"
2240	Gantom Precision Z	1 1/4"	1 1/4"	3/4"
2220	Gantom 1	2 1/2"	2 1/2"	1 3/4"
2574	S4 Mini, Black	2.76"	2.76"	2"
2599	D-22	5.55"	5.55"	4.95"
2488	S4 PAR/PARNel*	7 1/2"	7 1/2"	6 3/4"
2488S	S4 PAR/PARNel (short)	7 1/2"	7 1/2"	6 3/4"
2568	S4 Fresnel 8 Leaf	7 1/2"	7 1/2"	6 3/4"
2561	Altman AP150	7.88"	7.88"	7.18"
2500	6 1/4"	6 1/4"	6 1/4"	5 1/4"
2588	D-60	8 7/8"	8 7/8"	8"
2496	10"	8 7/8"	8 7/8"	8"
2554	Selador 11"	10 5/8"	4 1/16"	—
2542	KREIOS® FL 60W and FLx 90W	12"	9.5"	10"
510 or 510C	Philips SL Nitro	18 1/4"	3 1/4"	14 1/2"
2489	185mm	185mm	185mm	171mm

*Fits D-40

800.230.9497 or 201.549.1160

55

Contact:
Alana Shepherd
ashepherd@uidaho.edu
917 830 6922

2024 Lighting Acquisition
ISSUE FOR BID

University of Idaho
Theatre Arts

Fixture Information	Manufacturer	Part Number				
	CITY THEATRICAL	2488				
	Mounting	Control Type	Input Watts	Voltage	Ballast/Trans/Drv	
Source Info	N/A	N/A			NONE	
	Lamp Manufacturer	Lamp Info/Part #	# Lamps	Lamp Watts	Color/CCT	Finish
Notes	N/A	N/A			N/A	BLACK

Beam Control

Standard Half Top Hats



Half Top Hats mask the beam on one side, and allow max light output on the other side. They have a black flocked interior.



Standard Half Top Hat
(P/N 2482) for ETC's
Source 4 PAR



PART NUMBER	NAME	A	B	C	D
2572	S4 Mini	2.76"	2.76"	2.3"	2.3"
2573	Short S4 Mini	2.76"	2.76"	1.5"	2.3"
2465	PAR 16	2 7/8"	2 7/8"	2"	2"
2466	PAR 20	3 1/4"	3 1/4"	2 1/2"	2 1/2"
2467	3" Fresnel	3 3/4"	3 3/4"	3"	3"
2464	3 1/2" Ellipsoidal	4 1/8"	4 1/8"	3 1/2"	3 1/2"
NEW 2614	ColorSource Spot Jr.	5.45"	5.45"	4"	4.1"
2591	D-22	5.55"	5.55"	3"	4.95"
NEW 120-000010-03	ColorBlast 6, White	5 5/8"	4 5/8"	3"	
NEW 120-000010-04	ColorBlast 6, Black	5 5/8"	4 5/8"	3"	
2460	S4, SL, SH, PC*	6 1/4"	6 1/4"	5"	5"
2441	Short S4, SL, SH, PC*	6 1/4"	6 1/4"	3"	5"
2420	6" Ellipsoidal	7 1/2"	7 1/2"	6"	6"
2482	S4 PAR**	7 1/2"	7 1/2"	6"	6 3/4"
2482S	Short S4 Par	7 1/2"	7 1/2"	3"	6 3/4"
2492	S4 PAR Round Frame**	7 1/2"	7 1/2"	6"	6 3/4"
NEW 2522	Altman AP150	7.785"	8.25"	3"	7.11"
2582	D-60	8 7/8"	8 7/8"	6"	8"
NEW 2463S	Short PAR 64 (Altman, L&E)	10"	24"	24"	10"
2463	PAR 64 (Altman and L&E)	10"	10"	8"	8"
2462	S4 10", SL 10"	12"	12"	10"	10"
NEW 120-000009-03	ColorBlast 12, White	12 1/2"	5 3/8"	3"	
NEW 120-000009-04	ColorBlast 12, Black	12 1/2"	5 3/8"	3"	
2461	S4 5"	14"	14"	12"	12"
2468	SL 5"	16"	16"	14"	14"
NEW 2469	17.5"	17 1/2"	17 1/2"	15 1/2"	15 1/2"
2442	125mm	125mm	125mm	100mm	100mm
2444	185mm	185mm	185mm	150mm	150mm
2541	Kreios FL 60w and FLx 90w	239mm	239mm	108mm	156mm
2446	245mm	245mm	245mm	205mm	205mm

* Source Four, Strand SL, Shakespeare, and Pacific ellipsoidals (19-50")

** These accessories can also be used with S4 PARnel, S4 Zoom fixtures, S4 14", and ETC D-40.

Note: We do not recommend the use of 5" long accessories in 50" lens tubes. We do not recommend the use of any accessories in 70" or 90" lens tubes. Extreme loss of light will occur.

800.230.9497 or 201.549.1160

51

Contact:
Alana Shepherd
ashepherd@uidaho.edu
917 830 6922

2024 Lighting Acquisition
ISSUE FOR BID

University of Idaho
Theatre Arts

Fixture Information	Manufacturer	Part Number				
	CITY THEATRICAL	2460				
	Mounting	Control Type	Input Watts	Voltage	Ballast/Trans/Drv	
	N/A	N/A			NONE	
Source Info	Lamp Manufacturer	Lamp Info/Part #	# Lamps	Lamp Watts	Color/CCT	Finish
	N/A	N/A			N/A	BLACK
Notes						

Description

19° ELLIPSOIDAL REFLECTOR SPOTLIGHT WITH C-CLAMP, COLOR FRAME, AND SAFETY CABLE

Location

VARIOUS

Type

CA-19

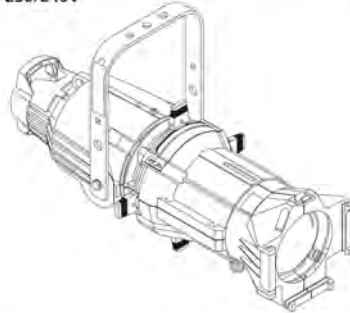
ETC®

Source Four® 19°



100V 115/120V 230/240V

Ellipsoidal Series



Contact:
Alana Shepherd
ashepherd@uidaho.edu
917 830 6922

2024 Lighting Acquisition
ISSUE FOR BID

University of Idaho
Theatre Arts

SPECIFICATIONS

PHYSICAL

- Rugged, die cast aluminum construction
- Rotating shutter assembly ±25°
- 20 gauge stainless steel shutters in a tri-plane assembly
- Interchangeable lens tubes with smooth-running teflon guides provide nine user-fit field angle options
- Thermally insulated rear handle
- High impact, thermally insulated knobs and shutter handles
- Two accessory slots and a top mounted, gel frame retainer
- Steel yoke with two mounting positions
- Positive locking single-clutch fixture body
- Slot for glass or stainless steel patterns
- Wide accessory slot with sliding cover for motorized pattern devices or optional iris
- UL and cUL Listed

ELECTRICAL

- 115-240V, 50/60Hz
- High temperature 3-conductor 36" leads in a glass fiber outer sleeve
- Supports ETC Dimmer Doubling™ technology

LAMP

- 750W maximum
- HPL – compact tungsten filament contained in a krypton-filled quartz envelope (see table for suitable lamp types)
- Patented filament geometry makes for extremely efficient light collection and transmission
- Integral die cast aluminum heat sink lamp base

SPECIFICATIONS

OPTICAL

- Re-optimized optical system for improved photometric performance and field uniformity
- Projector-quality, high contrast aspheric lens
- Optional enhanced definition lens tube available for even higher image quality.
- Faceted borosilicate reflector with dichroic cold mirror coating removes greater than 90% infrared radiation (heat) and reflects greater than 95% of visible light
- Reflector secured with anti-vibration shock mounts
- Lens(es) secured with anti-vibration shock mounts
- Tool free, positive locking X, Y and Z lamp centering adjustments, unaffected by relamping
- Beam edge continually adjustable hard-to-soft
- Interchangeable lens barrels permit selection of 5°, 10°, 14°, 19°, 26°, 36°, 50°, 70° and 90° field angles as well as 19°, 26°, 36°, and 50° EDLT lenses

ORDERING INFORMATION

Source Four

MODEL	DESCRIPTION
419	19° ellipsoidal (black)
419-i	19° ellipsoidal (white)

ETC Source Four are supplied with C-clamp, color frame and 3' (96cm) leads as standard

Connector Designation

Use Suffixes below to specify Factory-Fitted Connector type

MODEL	DESCRIPTION
-A	Parallel-blade U-ground connector
-B	Two-pin and ground, 20 amp connector
-C	Grounded, 20 amp, twistlock connector
-M	Dimmer Doubling Connector (NEMA LS15P)

See back page for Source Four Accessories



Fixture Information	Manufacturer		Part Number				
		ETC		419-B+400SC			
Source Info	Mounting		Control Type		Input Watts	Voltage	Ballast/Trans/Drv
	C-CLAMP		LINE		750 W	120	NONE
Notes	Lamp Manufacturer	Lamp Info/Part #		# Lamps	Lamp Watts	Color/CCT	Finish
	USHIO	HPL750		1	750 W	3200K	BLACK

Description

19° ELLIPSOIDAL REFLECTOR SPOTLIGHT WITH C-CLAMP, COLOR FRAME, AND SAFETY CABLE

Location

VARIOUS

Type

CA-19

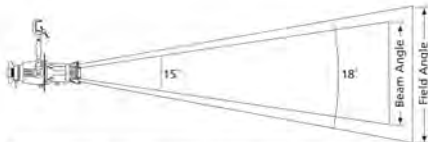
ETC®

Source Four® 19°

Ellipsoidal Series

PHOTOMETRICS

Photometric data below is measured with an HPL 750W/115V 300 hr lamp. To convert data when using any other HPL lamp, use the lumen or candela multiplying factors (Lm MF or Cd MF) for that specific lamp, listed in the Lamps table in this datasheet. For lumen data, multiply by the Lm MF. For candela or footcandle data, multiply by the Cd MF.



Throw Distance (d)	25'	40'	55'	70'
	7.6m	12.2m	16.7m	21.3m
Field Diameter	8'	13'	18'	22'
	2.4m	3.9m	5.4m	6.8m
Illuminance (fc)	392	153	81	50
Illuminance (lux)	4,217	1,648	872	538

Source Four 19°(cosine)

Degree	Candela	Field Lumens	Beam Lumens	Efficiency	Lumens per watt
19°	243,520	11,180	8,785	51.1%	14.9

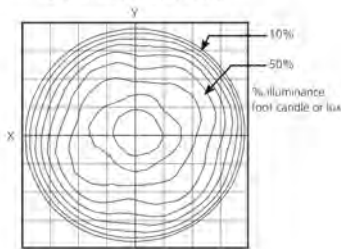
Metric Conversions: For Meters multiply feet by .3048
For Lux multiply footcandles by 10.76

To determine center beam illumination in footcandles at any throw distance, divide candela by the throw distance squared.

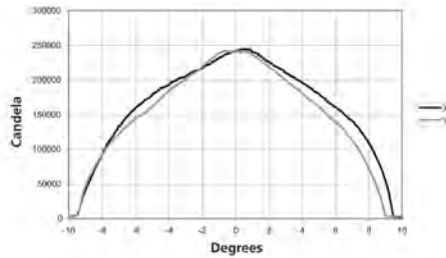
For Field diameter at any throw distance, multiply the throw distance by .32

For Beam diameter at any throw distance, multiply the throw distance by .26

Iso-Illuminance Diagram (Flat Surface Distribution)



Cosine Candela Plot



Complete IES photometry data files (.IES or .E-02 format) may be downloaded from the ETC website. Go to <http://www.etcconnect.com/downloads.asp>

7 of 8

Contact:
Alana Shepherd
ashepherd@uidaho.edu
917 830 6922

2024 Lighting Acquisition
ISSUE FOR BID

University of Idaho
Theatre Arts



Fixture Information	Manufacturer	Part Number				
	ETC	419-B+400SC				
	Mounting	Control Type	Input Watts	Voltage	Ballast/Trans/Drv	
Source Info	C-CLAMP	LINE	750 W	120	NONE	
Source Info	Lamp Manufacturer	Lamp Info/Part #	# Lamps	Lamp Watts	Color/CCT	Finish
	USHIO	HPL750	1	750 W	3200K	BLACK
Notes						

Description	19° ELLIPSOIDAL REFLECTOR SPOTLIGHT WITH C-CLAMP, COLOR FRAME, AND SAFETY CABLE	Location	VARIOUS	Type	CA-19

ETC®

Source Four® 19°

Ellipsoidal Series

LAMPS

To determine Candela (Cd) or Lumens (Lm) for any other HPL lamp, multiply the Candela or Lumen value by the appropriate multiplying factor (CdMF or LmMF) shown for that lamp in the table below.

ETC Part #	Lamp Code	Watts	Volts	Initial Lumens	Color Temp. K	Average Rated Life	19° Cd MF	19° Lm MF
RT116	HPL 750/115**	750	115	21,900	3,250	300	1.00	1.00
RT196	HPL 750/115X	750	115	16,400	3,050	1,500	.64	.74
RT113	HPL 575/115**	575	115	16,520	3,250	300	.85	.82
RT114	HPL 575/115X	575	115	12,360	3,050	2,000	.56	.56
RT142	HPL 375/115	375	115	10,540	3,250	300	.71	.53
RT143	HPL 375/115X	375	115	8,500	3,050	1,000	.49	.40
N/A	HPL 750/120	750	120	21,900	3,250	300	1.00	1.00
N/A	HPL 750/120X	750	120	16,400	3,050	1,500	.64	.74
RT115	HPL 575/120	575	120	16,520	3,250	300	.85	.82
RT171	HPL 575/120X	575	120	12,360	3,050	2,000	.56	.56
RT112	HPL 550/77*	550	77	16,170	3,250	300	.87	.81
RT117	HPL 550/77X*	550	77	12,160	3,050	2,000	.59	.56
RT160	HPL 750/230**	750	230	19,750	3,200	300	.64	.70
N/A	HPL 750/230X	750	230	15,600	3,050	1,500	.40	.55
RT129	HPL 575/230**	575	230	14,900	3,200	400	.55	.53
RT138	HPL 575/230X	575	230	11,780	3,050	1,500	.38	.42
RT154	HPL 375/230X	375	230	7,800	3,050	1,000	.30	.28
N/A	HPL 750/240	750	240	19,750	3,200	300	.64	.70
N/A	HPL 750/240X	750	240	15,600	3,050	1,500	.40	.55
RT130	HPL 575/240	575	240	14,900	3,200	400	.52	.53
RT139	HPL 575/240X	575	240	11,780	3,050	1,500	.36	.42
RT155	HPL 375/240X	375	240	7,800	3,050	1,000	.30	.28

Source Four is rated for 750W maximum

*77 Volt HPL lamps are for use with ETC Dimmer Doubling technology only

**Photometric data was prepared using a production fixture and the Photometric CCD measurement system. Fixture adjusted for cosine distribution and tested with calibrated lamp at rated voltage. All data normalized to nominal lamp lumens in accordance with IES LM-73-04. Testing performed at ETC West, Hollywood, CA. All other multiplying factors extrapolated from primary test data.

For links to photometry file downloads (IES LM-63-02 format) go to www.etcconnect.com

HPL Specified Tolerances: Watts +/-5%, Lumens +/-2%, Average life +/-10%, Color Temperature +/-50K

N/A lamps are not available for purchase from ETC. Contact your Dealer for purchase.

8 of 8

Contact:
Alana Shepherd
ashepherd@uidaho.edu
917 830 6922

2024 Lighting Acquisition
ISSUE FOR BID

University of Idaho
Theatre Arts



Fixture Information	Manufacturer		Part Number				
	ETC		419-B+400SC				
	Mounting		Control Type		Input Watts	Voltage	Ballast/Trans/Drvr
Source Info	C-CLAMP		LINE		750 W	120	NONE
	Lamp Manufacturer	Lamp Info/Part #		# Lamps	Lamp Watts	Color/CCT	Finish
Notes	USHIO	HPL750		1	750 W	3200K	BLACK

Description

19° ELLIPSOIDAL REFLECTOR SPOTLIGHT WITH C-CLAMP, COLOR FRAME, AND SAFETY CABLE

Location

VARIOUS

Type

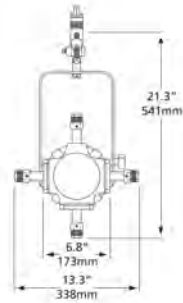
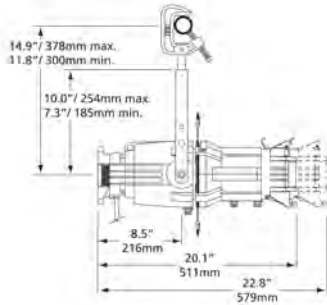
CA-19

ETC®

Source Four® 19°

Ellipsoidal Series

PHYSICAL



Source Four Weights*

MODEL	WEIGHT		SHIPPING WEIGHT	
	lbs	kgs	lbs	kgs
19°	14	6.4	20	9.1

*Includes 2.3 lbs for C-clamp.

ORDERING INFORMATION

Continued from front page...

Source Four Accessories

MODEL	DESCRIPTION
419LT	19° lens tube with lens installed (black)
419LT-1	19° lens tube with lens installed (white)
419EDLT	19° Enhanced Definition Lens Tube complete (black)
419EDLT-1	19° Enhanced Definition Lens Tube complete (white)
400CC	C-clamp (included)
400PH-A	Pattern holder (A size)
400PH-B	Pattern holder (B size)
400PH-G	Glass pattern holder
400SC	Safety cable
400RS	Drop-in iris
400CF	Colorframe (6.25") (included)
400DN	Donut (6.25")
400TH	Top hat
400HH	Half hat
400GE	Gel extender (Recommended for 19° and 26° only)
407GE	Conical gel extender (requires 407CF below)
407CF	7.5" Square color frame (Required for 14°, 20°, 90° and 407GE)
400FB	Source Four Fixture Body, Single Clutch

Note: For colors other than black or white, please call ETC.

Source Four products are protected by one or more of the following patents:

U.S.	USRE36,3316, US5,345,371, US6,092,914 and US5,775,799
U.K.	GB0592589, GB0673488, 99930527.9*
Germany	DE0592589, GB0673488, 99930527.9*
Japan	JP2,501,772

* European patent application number.



Corporate Headquarters • 3031 Pleasant View Rd, PO Box 620979, Mableton WI 53562 0979 USA • Tel +1 508 831 4116 • Fax +1 508 836 1730
 London, UK • Unit 26-28, Victoria Industrial Estate, Victoria Road, London W3 6LU, UK • Tel +44 (0)20 8896 1000 • Fax +44 (0)20 8896 2000
 Rome, IT • Via Pieve Torina, 48, 00156 Rome, Italy • Tel +39 (06) 52 111 643 • Fax +42 (0)6 4752 8486
 Holzkirchen, DE • Christallee 2, 83607 Holzkirchen, Germany • Tel +49 (80 24) 47 00-0 • Fax +49 (80 24) 47 00-3 00
 Hong Kong • Room 1801, 18/F, Tower 1 Phase 1, Enterprise Square, 9 Sheung Yuet Road, Kowloon Bay, Kowloon, Hong Kong • Tel +852 2799 1210 • Fax +852 2799 9325
 Web • www.etcconnect.com • Copyright © 2010 ETC. All Rights Reserved. All product information and specifications subject to change. 786641007 Rev. G Printed in USA 12/10

4 of 4

Contact:
Alana Shepherd
ashepherd@uidaho.edu
917 830 6922

2024 Lighting Acquisition
ISSUE FOR BID

University of Idaho
Theatre Arts



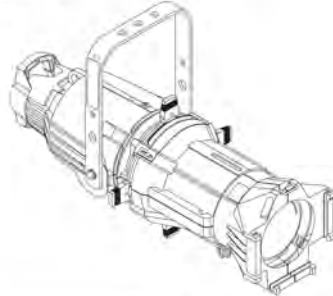
Fixture Information	Manufacturer	Part Number					
	ETC	419-B+400SC					
	Mounting	Control Type		Input Watts	Voltage	Ballast/Trans/Drv	
Source Info	C-CLAMP		LINE		750 W	120	NONE
	Lamp Manufacturer	Lamp Info/Part #	# Lamps	Lamp Watts	Color/CCT		Finish
Notes	USHIO	HPL750	1	750 W	3200K		BLACK

ETC®

Source Four® 26°

100V 115/120V 230/240V

Ellipsoidal Series



SPECIFICATIONS

PHYSICAL

- Rugged, die cast aluminum construction
- Rotating shutter assembly ±25°
- 20 gauge stainless steel shutters in a tri-plane assembly
- Interchangeable lens tubes with smooth-running teflon guides provide nine user-fit field angle options
- Thermally insulated rear handle
- High impact, thermally insulated knobs and shutter handles
- Two accessory slots and a top mounted, gel frame retainer
- Steel yoke with two mounting positions
- Positive locking single-clutch fixture body
- Slot for glass or stainless steel patterns
- Wide accessory slot with sliding cover for motorized pattern devices or optional iris
- UL and cUL Listed

ELECTRICAL

- 115-240V, 50/60Hz
- High temperature 3-conductor 36" leads in a glass fiber outer sleeve
- Supports ETC Dimmer Doubling™ technology

LAMP

- 750W maximum
- HPL – compact tungsten filament contained in a krypton-filled quartz envelope (see table for available lamp options)
- Patented filament geometry makes for extremely efficient light collection and transmission
- Integral die cast aluminum heat sink lamp base

SPECIFICATIONS

OPTICAL

- Re-optimized optical system for improved photometric performance and field uniformity
- Projector-quality, high contrast aspheric lens
- Optional enhanced definition lens tube available for even higher image quality
- Faceted borosilicate reflector with dichroic cold mirror coating removes greater than 90% infrared radiation (heat) and reflects greater than 95% of visible light
- Reflector secured with anti-vibration shock mounts
- Lens(es) secured with anti-vibration shock mounts
- Tool free, positive locking X, Y and Z lamp centering adjustments, unaffected by relamping
- Beam edge continually adjustable hard-to-soft
- Interchangeable lens barrels permit selection of 5°, 10°, 14°, 19°, 26°, 36°, 50°, 70°, and 90° field angles as well as 19°, 26°, 36°, and 50° EDLT lenses

ORDERING INFORMATION

Source Four

MODEL	DESCRIPTION
426	26° ellipsoidal (black)
426-1	26° ellipsoidal (white)

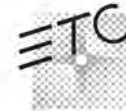
ETC Source Four are supplied with C-clamp, color frame and 3' (96cm) leads as standard.

Connector Designation

Use Suffixes below to specify Factory-Fitted Connector type

MODEL	DESCRIPTION
-A	Parallel-blade U-ground connector
-B	Two-pin and ground, 20 amp connector
-C	Grounded, 20 amp, twistlock connector
-M	Dimmer Doubling Connector (NEMA L515P)

See back page for Source Four Accessories



Contact:
 Alana Shepherd
 ashepherd@uidaho.edu
 917 830 6922

2024 Lighting Acquisition
 ISSUE FOR BID

University of Idaho
 Theatre Arts



Fixture Information	Manufacturer	Part Number				
	ETC	426-B+400SC				
	Mounting	Control Type	Input Watts	Voltage	Ballast/Trans/Drv	
	C-CLAMP	LINE	750 W	120	NONE	
Source Info	Lamp Manufacturer	Lamp Info/Part #	# Lamps	Lamp Watts	Color/CCT	Finish
	USHIO	HPL750	1	750 W	3200K	BLACK
Notes						

Description

26° ELLIPSOIDAL REFLECTOR SPOTLIGHT WITH C-CLAMP, COLOR FRAME, AND SAFETY CABLE

Location

VARIOUS

Type

CA-26

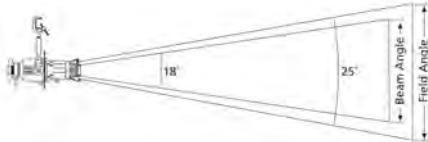
ETC®

Source Four® 26°

Ellipsoidal Series

PHOTOMETRICS

Photometric data below is measured with an HPL 750W/115V 300 hr lamp. To convert data when using any other HPL lamp, use the lumen or candela multiplying factors (Lm MF or Cd MF) for that specific lamp, listed in the Lamps table in this datasheet. For lumen data, multiply by the Lm MF. For candela or footcandle data, multiply by the Cd MF.



Throw Distance (d)	15'	30'	45'	60'
	4.6m	9.1m	13.7m	18.1m
Field Diameter	6.7'	13.4'	20.1'	26.8'
	2.0m	4.1m	6.1m	8.2m
Illuminance (fc)	783	196	87	49
Illuminance (lux)	8,432	2,108	937	527

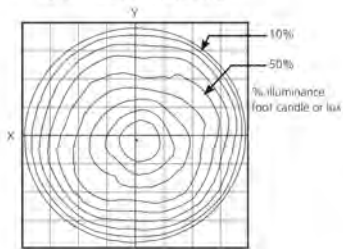
Source Four 26° (cosine)

Degree	Candela	Field Lumens	Beam Lumens	Efficiency	Lumens per watt
26°	176,255	13,690	9,040	62.5%	18.3

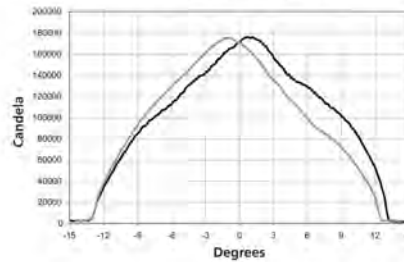
Metric Conversions: For meters, multiply feet by .3048
For Lux multiply footcandles by 10.76

To determine center beam illumination in footcandles at any throw distance, divide candela by the throw distance squared.
For Field diameter at any throw distance, multiply the throw distance by .45
For Beam diameter at any throw distance, multiply the throw distance by .32

Iso-Illuminance Diagram (Flat Surface Distribution)



Cosine Candela Plot



Complete IES photometry data files (LM-63-02 format) may be downloaded from the ETC website. Go to <http://www.etcconnect.com/downloads.asp>

7 of 8

Contact:
Alana Shepherd
ashepherd@uidaho.edu
917 830 6922

2024 Lighting Acquisition
ISSUE FOR BID

University of Idaho
Theatre Arts



Fixture Information	Manufacturer	Part Number				
	ETC	426-B+400SC				
	Mounting	Control Type	Input Watts	Voltage	Ballast/Trans/Drv	
Source Info	C-CLAMP	LINE	750 W	120	NONE	
Notes	Lamp Manufacturer	Lamp Info/Part #	# Lamps	Lamp Watts	Color/CCT	Finish
	USHIO	HPL750	1	750 W	3200K	BLACK

Description	26° ELLIPSOIDAL REFLECTOR SPOTLIGHT WITH C-CLAMP, COLOR FRAME, AND SAFETY CABLE	Location	VARIOUS	Type
				CA-26

ETC®

Source Four® 26°

Ellipsoidal Series

LAMPS

To determine Candela (Cd) or Lumens (Lm) for any other HPL lamp, multiply the Candela or Lumen value by the appropriate multiplying factor (CdMF or LmMF) shown for that lamp in the table below.

ETC Part #	Lamp Code	Watts	Volts	Initial Lumens	Color Temp. K	Average Rated Life	26° Cd MF	26° Lm MF
RT116	HPL 750/115**	750	115	21,900	3,250	300	1.00	1.00
RT196	HPL 750/115X	750	115	16,400	3,050	1,500	.64	.74
RT113	HPL 575/115**	575	115	16,520	3,250	300	.78	.82
RT114	HPL 575/115X	575	115	12,360	3,050	2,000	.56	.56
RT142	HPL 375/115	375	115	10,540	3,250	300	.66	.52
RT143	HPL 375/115X	375	115	8,500	3,050	1,000	.45	.40
N/A	HPL 750/120	750	120	21,900	3,250	300	1.00	1.00
N/A	HPL 750/120X	750	120	16,400	3,050	1,500	.64	.74
RT115	HPL 575/120	575	120	16,520	3,250	300	.78	.82
RT171	HPL 575/120X	575	120	12,360	3,050	2,000	.56	.56
RT112	HPL 550/77*	550	77	16,170	3,250	300	.77	.77
RT117	HPL 550/77X*	550	77	12,160	3,050	2,000	.59	.56
RT160	HPL 750/230**	750	230	19,750	3,200	300	.64	.75
N/A	HPL 750/230X	750	230	15,600	3,050	1,500	.40	.59
RT129	HPL 575/230**	575	230	14,900	3,200	400	.53	.61
RT138	HPL 575/230X	575	230	11,780	3,050	1,500	.38	.45
RT154	HPL 375/230X	375	230	7,800	3,050	1,000	.29	.32
N/A	HPL 750/240	750	240	19,750	3,200	300	.64	.75
N/A	HPL 750/240X	750	240	15,600	3,050	1,500	.40	.59
RT130	HPL 575/240	575	240	14,900	3,200	400	.50	.61
RT139	HPL 575/240X	575	240	11,780	3,050	1,500	.36	.45
RT155	HPL 375/240X	375	240	7,800	3,050	1,000	.29	.32

Source Four is rated for 750W maximum.

*77 Volt HPL lamps are for use with ETC Dimmer Doubling technology only.

**Photometric data was prepared using a production fixture and the Photometric CCD measurement system. Fixture adjusted for cosine distribution and tested with calibrated lamp at rated voltage. All data normalized to nominal lamp lumens in accordance with IES LM-79-04. Testing performed at ETC West, Hollywood, CA. All other multiplying factors extrapolated from primary test data.

For links to photometry file downloads (IES LM-63-02 format) go to www.etcconnect.com

HPL Specified Tolerances: Watts +/- 5%, Lumens +/- 7%, Average life +/- 10%, Color Temperature +/- 50K.

NA lamps are not available for purchase from ETC. Contact your Dealer for purchase.

3 of 4

Contact:
Alana Shepherd
ashepherd@uidaho.edu
917 830 6922

2024 Lighting Acquisition
ISSUE FOR BID

University of Idaho
Theatre Arts



Fixture Information	Manufacturer	Part Number				
	ETC	426-B+400SC				
	Mounting	Control Type	Input Watts	Voltage	Ballast/Trans/Drv	
Source Info	C-CLAMP	LINE	750 W	120	NONE	
Notes	Lamp Manufacturer	Lamp Info/Part #	# Lamps	Lamp Watts	Color/CCT	Finish
	USHIO	HPL750	1	750 W	3200K	BLACK

Description

26° ELLIPSOIDAL REFLECTOR SPOTLIGHT WITH C-CLAMP, COLOR FRAME, AND SAFETY CABLE

Location

VARIOUS

Type

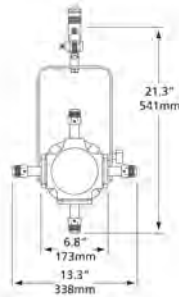
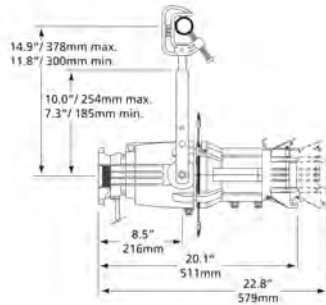
CA-26

ETC®

Source Four® 26°

Ellipsoidal Series

PHYSICAL



Source Four Weights*

MODEL	WEIGHT		SHIPPING WEIGHT	
	lbs	kgs	lbs	kgs
26°	14	6.4	20	9.1

*Includes 2.3 lbs for C-clamp

ORDERING INFORMATION

Continued from front page...

Source Four Accessories

MODEL	DESCRIPTION
426LT	26° lens tube complete (black)
426LT-1	26° lens tube complete (white)
426EDLT	26° Enhanced Definition Lens Tube complete (black)
426EDLT-1	26° Enhanced Definition Lens Tube complete (white)
400CC	C-clamp (included)
400PH-A	Pattern holder (A size)
400PH-B	Pattern holder (B size)
400PH-G	Glass pattern holder
400SC	Safety cable
400RS	Drop-in iris
400CF	Colorframe (6.25") (included)
400DN	Donut (6.25")
400TH	Top hat
400HH	Half hat
400GE	Gel extender (Recommended for 19° and 26° only)
407GE	Conical gel extender (requires 407CF below)
407CF	7.5" Square color frame (required for 14°, 70°, 90° and 407GE)
400FB	Source Four fixture body, single clutch

Note: For colors other than black or white, please call ETC.

Source Four products are protected by one or more of the following patents:

U.S.	USRE36,331;6, US5,345,371, US6,092,914 and US5,775,799
U.K.	GB0592589, GB0673488, 99930527.9*
Germany	DE0592589, GB0673488, 99930527.9*
Japan	JP2,501,772

* European patent application number.



Corporate Headquarters • 3031 Pleasant View Rd, PO Box 620979, Mableton WI 53562 0979 USA • Tel +1 508 831 4116 • Fax +1 508 836 1736
 London, UK • Unit 26-28, Victoria Industrial Estate, Victoria Road, London W3 6LU, UK • Tel +44 (0)20 8996 1000 • Fax +44 (0)20 8896 2000
 Rome, IT • Via Pave Toros, 48, 00156 Rome, Italy • Tel +39 (06) 52 131 643 • Fax +42 (0)20 4752 8486
 Holzkiichen, DE • Christalle 2, 83607 Holzkiichen, Germany • Tel +49 (80 24) 47 00-0 • Fax +49 (80 24) 47 00-3 00
 Hong Kong • Room 1801, 18/F Tower 1 Phase 1, Enterprise Square, 9 Sheung Yuet Road, Kowloon Bay, Kowloon, Hong Kong • Tel +852 2799 1210 • Fax +852 2799 9333
 Web • www.etcconnect.com • Copyright © 2010 ETC. All Rights Reserved. All product information and specifications subject to change. 70664 1/008 Rev. G Printed in USA 12/10

4 of 4

Contact:
Alana Shepherd
ashepherd@uidaho.edu
917 830 6922

2024 Lighting Acquisition
ISSUE FOR BID

University of Idaho
Theatre Arts



Fixture Information	Manufacturer	Part Number					
	ETC	426-B+400SC					
	Mounting	Control Type		Input Watts	Voltage	Ballast/Trans/Drv	
Source Info	C-CLAMP	LINE		750 W	120	NONE	
	Lamp Manufacturer	Lamp Info/Part #	# Lamps	Lamp Watts	Color/CCT	Finish	
Notes	USHIO	HPL750	1	750 W	3200K	BLACK	

Description

36° ELLIPSOIDAL REFLECTOR SPOTLIGHT WITH C-CLAMP, COLOR FRAME, AND SAFETY CABLE

Location

VARIOUS

Type

CA-36

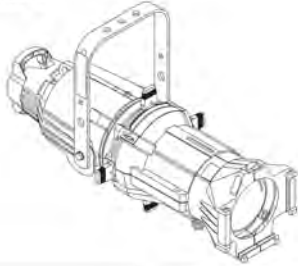
ETC®

Source Four® 36°



100V 115/120V 230/240V

Ellipsoidal Series



Contact:
Alana Shepherd
ashepherd@uidaho.edu
917 830 6922

SPECIFICATIONS

PHYSICAL

- Rugged, die cast aluminum construction
- Rotating shutter assembly ±25°
- 20 gauge stainless steel shutters in a tri-plane assembly
- Interchangeable lens tubes with smooth-running teflon guides provide nine user-fit field angle options
- Thermally insulated rear handle
- High impact, thermally insulated knobs and shutter handles
- Two accessory slots and a top mounted, gel frame retainer
- Steel yoke with two mounting positions
- Positive locking single-clutch fixture body
- Slot for glass or stainless steel patterns
- Wide accessory slot with sliding cover for motorized pattern devices or optional iris
- UL and cUL Listed

ELECTRICAL

- 115-240V, 50/60Hz
- High temperature 3-conductor 36" leads in a glass fiber outer sleeve
- Supports ETC Dimmer Doubling™ technology

LAMP

- 750W maximum
- HPL – compact tungsten filament contained in a krypton-filled quartz envelope (see table for suitable lamp types)
- Patented filament geometry makes for extremely efficient light collection and transmission
- Integral die cast aluminum heat sink lamp base

SPECIFICATIONS

OPTICAL

- Re-optimized optical system for improved photometric performance and field uniformity
- Projector-quality, high contrast meniscus front lens and bi-convex rear lens
- Optional enhanced definition lens tube available for even higher image quality
- Faceted borosilicate reflector with dichroic cold mirror coating removes greater than 90% infrared radiation (heat) and reflects greater than 95% of visible light
- Reflector secured with anti-vibration shock mounts
- Lens(es) secured with anti-vibration shock mounts
- Tool free lamp positive locking X, Y, and Z lamp centering adjustment knobs, unaffected by relamping
- Beam edge continually adjustable hard-to-soft
- Interchangeable lens barrels permit selection of 5°, 10°, 14°, 19°, 26°, 36°, 50° 70° and 90° field angles as well as 19°, 26°, 36°, and 50° EDLT lenses

ORDERING INFORMATION

Source Four

MODEL	DESCRIPTION
436	36° ellipsoidal (black)
436-1	36° ellipsoidal (white)

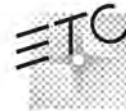
ETC Source Four are supplied with C-clamp, color frame and 3" (76cm) leads as standard

Connector Designation

Use Suffixes below to specify Factory-Fitted Connector type

MODEL	DESCRIPTION
-A	Parallel-blade U-ground connector
-B	Two-pin and ground, 20 amp connector
-C	Grounded, 20 amp, twistlock connector
-M	Dimmer Doubling Connector (NEMA L515P)

See back page for Source Four Accessories



2024 Lighting Acquisition
ISSUE FOR BID

University of Idaho
Theatre Arts



Fixture Information	Manufacturer		Part Number				
	ETC		436-B+400SC				
	Mounting		Control Type		Input Watts	Voltage	Ballast/Trans/Drvr
C-CLAMP		LINE		750 W	120	NONE	
Source Info	Lamp Manufacturer	Lamp Info/Part #		# Lamps	Lamp Watts	Color/CCT	Finish
	USHIO	HPL750		1	750 W	3200K	BLACK
Notes							

Description

36° ELLIPSOIDAL REFLECTOR SPOTLIGHT WITH C-CLAMP, COLOR FRAME, AND SAFETY CABLE

Location

VARIOUS

Type

CA-36

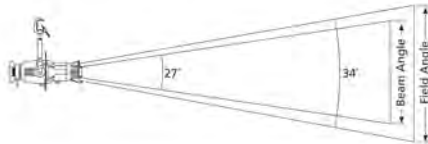
ETC®

Source Four® 36°

Ellipsoidal Series

PHOTOMETRICS

Photometric data below is measured with an HPL 750W/115V 300 hr lamp. To convert data when using any other HPL lamp, use the lumen or candela multiplying factors (Lm MF or Cd MF) for that specific lamp, listed in the Lamps table in this datasheet. For lumen data, multiply by the Lm MF. For candela or footcandle data, multiply by the Cd MF.



Throw Distance (d)	15'	25'	35'	45'
	4.6m	7.6m	10.7m	13.7m
Field Diameter	9.2'	15.3'	21.4'	27.6'
	2.8m	4.7m	6.5m	8.4m
Illuminance (fc)	404	145	74	45
Illuminance (lux)	4,348	1,565	799	483

Source Four 36° (cosine)

Degree	Candela	Field Lumens	Beam Lumens	Efficiency	Lumens per watt
36°	90,885	14,240	10,510	65%	19

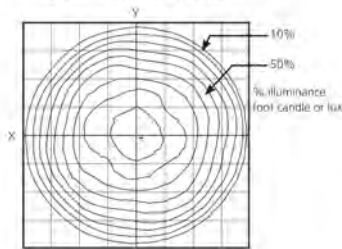
Metric Conversions: For Meters multiply feet by .3048
For Lux multiply footcandles by 10.76

To determine center beam illumination in footcandles at any throw distance, divide candela by the throw distance squared.

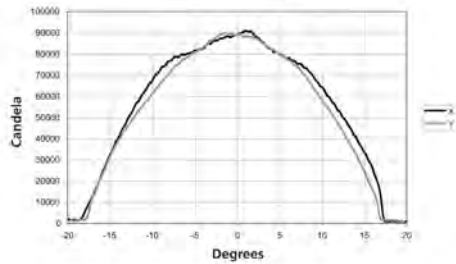
For Field diameter at any distance, multiply distance by .61

For Beam diameter at any distance, multiply distance by .47

Iso-Illuminance Diagram (Flat Surface Distribution)



Cosine Candela Plot



Complete IES photometry data files (LM-63-02 format) may be downloaded from the ETC website. Go to <http://www.etcconnect.com/downloads.asp>

7 of 8

Contact:
Alana Shepherd
ashepherd@uidaho.edu
917 830 6922

2024 Lighting Acquisition
ISSUE FOR BID

University of Idaho
Theatre Arts



Fixture Information	Manufacturer	Part Number				
	ETC	436-B+400SC				
	Mounting	Control Type	Input Watts	Voltage	Ballast/Trans/Drv	
Source Info	C-CLAMP	LINE	750 W	120	NONE	
	Lamp Manufacturer	Lamp Info/Part #	# Lamps	Lamp Watts	Color/CCT	Finish
Notes	USHIO	HPL750	1	750 W	3200K	BLACK

ETC®

Source Four® 36°

Ellipsoidal Series

LAMPS

To determine Candela (Cd) or Lumens (Lm) for any other HPL lamp, multiply the Candela or Lumen value by the appropriate multiplying factor (CdMF or LmMF) shown for that lamp in the table below.

ETC Part #	Lamp Code	Watts	Volts	Initial Lumens	Color Temp. K	Average Rated Life	36° Cd MF	36° Lm MF
RT116	HPL 750/115**	750	115	21,900	3,250	300	1.00	1.00
RT196	HPL 750/115X	750	115	16,400	3,050	1,500	.64	.74
RT113	HPL 575/115**	575	115	16,520	3,250	300	.67	.75
RT114	HPL 575/115X	575	115	12,360	3,050	2,000	.56	.56
RT142	HPL 375/115	375	115	10,540	3,250	300	.56	.48
RT143	HPL 375/115X	375	115	8,500	3,050	1,000	.39	.36
N/A	HPL 750/120	750	120	21,900	3,250	300	1.00	1.00
N/A	HPL 750/120X	750	120	16,400	3,050	1,500	.64	.74
RT115	HPL 575/120	575	120	16,520	3,250	300	.67	.75
RT171	HPL 575/120X	575	120	12,360	3,050	2,000	.56	.56
RT112	HPL 550/77*	550	77	16,170	3,250	300	.68	.73
RT117	HPL 550/77X*	550	77	12,160	3,050	2,000	.59	.56
RT160	HPL 750/230**	750	230	19,750	3,200	300	.74	.85
N/A	HPL 750/230X	750	230	15,600	3,050	1,500	.46	.67
RT129	HPL 575/230**	575	230	14,900	3,200	400	.63	.65
RT138	HPL 575/230X	575	230	11,780	3,050	1,500	.44	.51
RT154	HPL 375/230X	375	230	7,800	3,050	1,000	.35	.34
N/A	HPL 750/240	750	240	19,750	3,200	300	.74	.85
N/A	HPL 750/240X	750	240	15,600	3,050	1,500	.46	.67
RT130	HPL 575/240	575	240	14,900	3,200	400	.60	.65
RT139	HPL 575/240X	575	240	11,780	3,050	1,500	.41	.51
RT155	HPL 375/240X	375	240	7,800	3,050	1,000	.35	.34

Source Four is rated for 750W maximum

*77 Volt HPL lamps are for use with ETC Dimmer Doubling technology only

**Photometric data was prepared using a production fixture and the Prometric CCO measurement system. Fixture adjusted for cosine distribution and tested with calibrated lamp at rated voltage. All data normalized to nominal lamp lumens in accordance with IES LM-73-04. Testing performed at ETC West, Hollywood, CA. All other multiplying factors extrapolated from primary test data.

For links to photometry file downloads (IES LM-63-02 format) go to www.etcconnect.com

HPL Specified Tolerances: Watts +/- 5%, Lumens +/- 7%, Average life +/- 10%, Color Temperature +/- 50K

N/A lamps are not available for purchase from ETC. Contact your Dealer for purchase.

8 of 8

Contact:
 Alana Shepherd
 ashepherd@uidaho.edu
 917 830 6922

2024 Lighting Acquisition
 ISSUE FOR BID

University of Idaho
 Theatre Arts



Fixture Information	Manufacturer	Part Number					
	ETC	436-B+400SC					
	Mounting	Control Type		Input Watts	Voltage	Ballast/Trans/Drv	
Source Info	C-CLAMP	LINE		750 W	120	NONE	
	Lamp Manufacturer	Lamp Info/Part #		# Lamps	Lamp Watts	Color/CCT	Finish
Notes	USHIO	HPL750		1	750 W	3200K	BLACK

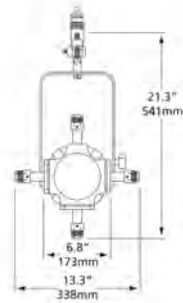
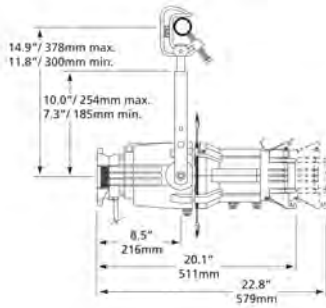
Description	36° ELLIPSOIDAL REFLECTOR SPOTLIGHT WITH C-CLAMP, COLOR FRAME, AND SAFETY CABLE	Location	VARIOUS	Type
				CA-36

ETC®

Source Four® 36°

Ellipsoidal Series

PHYSICAL



Source Four Weights*

MODEL	WEIGHT		SHIPPING WEIGHT	
	lbs	kgs	lbs	kgs
36°	14	6.4	20	9.1

*Includes 2.3 lbs for C-clamp

ORDERING INFORMATION

Continued from front page...

Source Four Accessories

MODEL	DESCRIPTION
436LT	36° lens tube with lens installed (black)
436LT-1	36° lens tube with lens installed (white)
436EDLT	36° Enhanced Definition Lens tube complete (black)
436EDLT-1	36° Enhanced Definition Lens tube complete (white)
400CC	C-clamp (included)
400PH-A	Pattern holder (A size)
400PH-B	Pattern holder (B size)
400PH-G	Glass pattern holder
400SC	Safety cable
400RS	Drop-in iris
400CF	Colorframe (6.25") (included)
400DN	Dgnut (6.25")
400TH	Top hat
400HH	Half hat
400GE	Gel extender
407GE	Conical gel extender
407CF	7.5" Square color frame (required for 14°, 70°, 90° and 407GE)
400FB	Source Four fixture body, single clutch

Note: For colors other than black or white, please call ETC.

Source Four products are protected by one or more of the following patents:

U.S.	USRE36,3316, US5,345,371, US6,092,914 and US5,775,799
U.K.	GB0592589, GB0673488, 99930527.9*
Germany	DE0592589, GB0673488, 99930527.9*
Japan	JP2,501,772

* European patent application number.



Corporate Headquarters • 3031 Pleasant View Rd, PO Box 620979, Mableton WI 53562 0979 USA • Tel +1 508 831 8116 • Fax +1 508 836 1736
 London, UK • Unit 26-28, Victoria Industrial Estate, Victoria Road, London W3 6LU, UK • Tel +44 (0)20 8896 1000 • Fax +44 (0)20 8896 2000
 Rome, IT • Via Pave Torona, 48, 00156 Rome, Italy • Tel +39 (06) 52 131 643 • Fax +42 (0)20 8752 8486
 Holzkirchen, DE • Christallee 2, 83607 Holzkirchen, Germany • Tel +49 (89) 241 47 00-0 • Fax +49 (89) 241 47 00-3 000
 Hong Kong • Room 1801, 18/F, Tower 1 Phase 1, Enterprise Square, 9 Sheung Yuet Road, Kowloon Bay, Kowloon, Hong Kong • Tel +852 2799 1210 • Fax +852 2799 9323
 Web • www.etcconnect.com • Copyright © 2010 ETC. All Rights Reserved. All product information and specifications subject to change. 7066/1009 Rev. 01 Printed in USA 1/10/11

4 of 4

Contact:
Alana Shepherd
ashepherd@uidaho.edu
917 830 6922

2024 Lighting Acquisition
ISSUE FOR BID

University of Idaho
Theatre Arts



Fixture Information	Manufacturer	Part Number					
	ETC	436-B+400SC					
	Mounting	Control Type		Input Watts	Voltage	Ballast/Trans/Drv	
Source Info	C-CLAMP	LINE		750 W	120	NONE	
	Lamp Manufacturer	Lamp Info/Part #	# Lamps	Lamp Watts	Color/CCT	Finish	
Notes	USHIO	HPL750	1	750 W	3200K	BLACK	

Description

50° ELLIPSOIDAL REFLECTOR SPOTLIGHT WITH C-CLAMP, COLOR FRAME, AND SAFETY CABLE

Location

VARIOUS

Type

CA-50

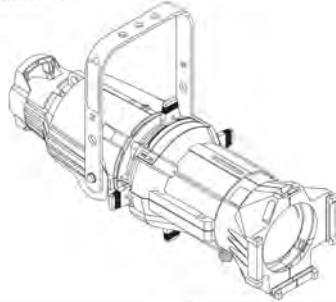
ETC®

Source Four® 50°



100V 115/120V 230/240V

Ellipsoidal Series



Contact:
Alana Shepherd
ashepherd@uidaho.edu
917 830 6922

2024 Lighting Acquisition
ISSUE FOR BID

University of Idaho
Theatre Arts

SPECIFICATIONS

PHYSICAL

- Rugged, die cast aluminum construction
- Rotating shutter assembly ±25°
- 20 gauge stainless steel shutters in a tri-plane assembly
- Interchangeable lens tubes with smooth-running teflon guides provide nine user-fit field angle options
- Thermally insulated rear handle
- High impact, thermally insulated knobs and shutter handles
- Two accessory slots and a top mounted, gel frame retainer
- Steel yoke with two mounting positions
- Positive locking single-clutch fixture body
- Slot for glass or stainless steel patterns
- Wide accessory slot with sliding cover for motorized pattern devices or optional iris
- UL and cUL Listed

ELECTRICAL

- 115-240V, 50/60Hz
- High temperature 3-conductor 36" leads in a glass fiber outer sleeve
- Supports ETC Dimmer Doubling™ technology

LAMP

- 750W maximum
- HPL – compact tungsten filament contained in a krypton-filled quartz envelope (see table for suitable lamp types)
- Patented filament geometry makes for extremely efficient light collection and transmission
- Integral die cast aluminum heat sink lamp base

SPECIFICATIONS

OPTICAL

- Re-optimized optical system for improved photometric performance and field uniformity
- Projector-quality, high contrast aspheric lens
- Optional enhanced definition lens tube available for even higher image quality
- Faceted borosilicate reflector with dichroic cold mirror coating removes greater than 90% infrared radiation (heat) and reflects greater than 95% of visible light
- Reflector secured with anti-vibration shock mounts
- Lens(es) secured with anti-vibration shock mounts
- Tool free, positive locking X, Y and Z lamp centering adjustments, unaffected by relamping
- Beam edge continually adjustable hard-to-soft
- Interchangeable lens barrels permit selection of 5°, 10°, 14°, 19°, 26°, 36°, 50°, 70° and 90° field angles as well as 19°, 26°, 36°, and 50° EDLT lenses

ORDERING INFORMATION

Source Four

MODEL	DESCRIPTION
450	50° ellipsoidal (black)
450-1	50° ellipsoidal (white)

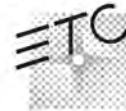
ETC Source Four are supplied with C-clamp, color frame and 3' (96cm) leads as standard

Connector Designation

Use Suffixes below to specify Factory-Fitted Connector type:

MODEL	DESCRIPTION
-A	Parallel-blade Li-ground connector
-B	Two-pin and ground, 20 amp connector
-C	Grounded, 20 amp, twistlock connector
-M	Dimmer Doubling Connector (NEMA L515P)

See back page for Source Four Accessories



Fixture Information	Manufacturer		Part Number				
		ETC		450-B+400SC			
Source Info	Mounting		Control Type		Input Watts	Voltage	Ballast/Trans/Drv
	C-CLAMP		LINE		750 W	120	NONE
Notes	Lamp Manufacturer	Lamp Info/Part #		# Lamps	Lamp Watts	Color/CCT	Finish
	USHIO	HPL750		1	750 W	3200K	BLACK

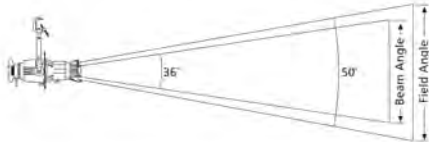
ETC®

Source Four® 50°

Ellipsoidal Series

PHOTOMETRICS

Photometric data below is measured with an HPL 750W/115V 300hr lamp. To convert data when using any other HPL lamp, use the lumen or candela multiplying factors (Lm MF or Cd MF) for that specific lamp, listed in the Lamps table in this datasheet. For lumen data, multiply by the Lm MF. For candela or footcandle data, multiply by the Cd MF.



Throw Distance (d)	10'	15'	25'	30'
	3m	4.6	7.6m	9.1m
Field Diameter	9.3'	14'	23.3'	27.9'
	2.8m	4.3m	7.1m	8.5m
Illuminance (fc)	457	203	73	51
Illuminance (lux)	4,914	2,184	786	546

Source Four 50° (cosine)

Degree	Candela	Field Lumens	Beam Lumens	Efficiency	Lumens per watt
50°	45,650	13,980	8,600	63.8%	18.6

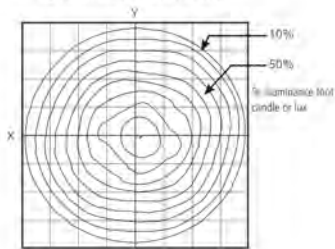
Metric Conversions: For Meters multiply feet by .3048
For Lux multiply footcandles by 10.76

To determine center beam illumination in footcandles at any throw distance, divide candela by the throw distance squared.

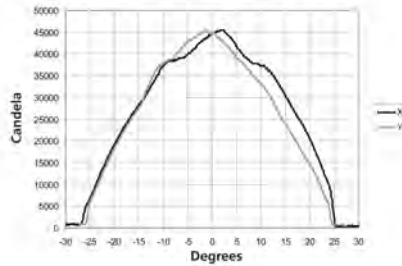
For Field diameter at any distance, multiply distance by .93

For Beam diameter at any distance, multiply distance by .65

Iso-Illuminance Diagram (Flat Surface Distribution)



Cosine Candela Plot



Complete IES photometry data files (LM-63-02 format) may be downloaded from the ETC website. Go to <http://www.etcconnect.com/downloads.asp>

7 of 8

Contact:
Alana Shepherd
ashepherd@uidaho.edu
917 830 6922

2024 Lighting Acquisition
ISSUE FOR BID

University of Idaho
Theatre Arts

Fixture Information	Manufacturer	Part Number					
	ETC	450-B+400SC					
	Mounting	Control Type		Input Watts	Voltage	Ballast/Trans/Drv	
	C-CLAMP	LINE		750 W	120	NONE	
Source Info	Lamp Manufacturer	Lamp Info/Part #		# Lamps	Lamp Watts	Color/CCT	Finish
	USHIO	HPL750		1	750 W	3200K	BLACK
Notes							

Description	50° ELLIPSOIDAL REFLECTOR SPOTLIGHT WITH C-CLAMP, COLOR FRAME, AND SAFETY CABLE	Location	VARIOUS	Type
				CA-50

ETC®

Source Four® 50°

Ellipsoidal Series

LAMPS

To determine Candela (Cd) or Lumens (Lm) for any other HPL lamp, multiply the Candela or Lumen value by the appropriate multiplying factor (CdMF or LmMF) shown for that lamp in the table below.

ETC Part #	Lamp Code	Watts	Volts	Initial Lumens	Color Temp. K	Average Rated Life	50° Cd MF	50° Lm MF
RT116	HPL 750/115**	750	115	21,900	3,250	300	1.00	1.00
RT196	HPL 750/115X	750	115	16,400	3,050	1,500	.64	.74
RT113	HPL 575/115**	575	115	16,520	3,250	300	.79	.76
RT114	HPL 575/115X	575	115	12,360	3,050	2,000	.56	.56
RT142	HPL 375/115	375	115	10,540	3,250	300	.66	.49
RT143	HPL 375/115X	375	115	8,500	3,050	1,000	.46	.36
N/A	HPL 750/120	750	120	21,900	3,250	300	1.00	1.00
N/A	HPL 750/120X	750	120	16,400	3,050	1,500	.64	.74
RT115	HPL 575/120	575	120	16,520	3,250	300	.79	.76
RT171	HPL 575/120X	575	120	12,360	3,050	2,000	.56	.56
RT112	HPL 550/77*	550	77	16,170	3,250	300	.81	.75
RT117	HPL 550/77X*	550	77	12,160	3,050	2,000	.59	.56
RT160	HPL 750/230**	750	230	19,750	3,200	300	.74	.75
N/A	HPL 750/230X	750	230	15,600	3,050	1,500	.46	.59
RT129	HPL 575/230**	575	230	14,900	3,200	400	.61	.60
RT138	HPL 575/230X	575	230	11,780	3,050	1,500	.45	.45
RT154	HPL 375/230X	375	230	7,800	3,050	1,000	.34	.31
N/A	HPL 750/240	750	240	19,750	3,200	300	.74	.75
N/A	HPL 750/240X	750	240	15,600	3,050	1,500	.46	.59
RT130	HPL 575/240	575	240	14,900	3,200	400	.58	.60
RT139	HPL 575/240X	575	240	11,780	3,050	1,500	.42	.45
RT155	HPL 375/240X	375	240	7,800	3,050	1,000	.34	.31

Source Four is rated for 750W maximum

*77 Volt HPL lamps are for use with ETC Dimmer Doubling technology only

**Photometric data was prepared using a production fixture and the Photometric CCD measurement system. Fixture evaluated for cosine distribution and tested with calibrated lamp at rated voltage. All data normalized to nominal lamp lumens in accordance with IES LM-73-04. Testing performed at ETC West, Hollywood, CA. All other multiplying factors extrapolated from primary test data.

For links to photometry file downloads (IES LM-63-02 format) go to www.etcconnect.com

HPL Specified Tolerances: Watts +/-5%, Lumens +/-2%, Average life +/-10%, Color Temperature +/-50K

N/A lamps are not available for purchase from ETC. Contact your Dealer for purchase.

8 of 8

Contact:
Alana Shepherd
ashepherd@uidaho.edu
917 830 6922

2024 Lighting Acquisition
ISSUE FOR BID

University of Idaho
Theatre Arts



Fixture Information	Manufacturer		Part Number				
	ETC		450-B+400SC				
	Mounting		Control Type		Input Watts	Voltage	Ballast/Trans/Drvr
Source Info	C-CLAMP		LINE		750 W	120	NONE
	Lamp Manufacturer	Lamp Info/Part #		# Lamps	Lamp Watts	Color/CCT	Finish
Notes	USHIO	HPL750		1	750 W	3200K	BLACK

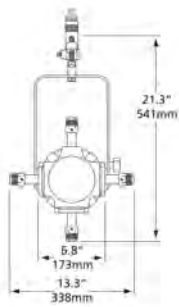
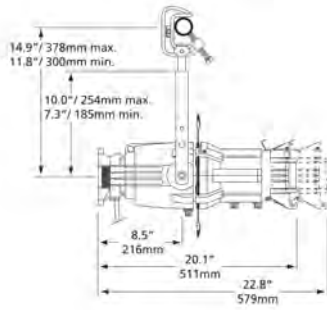
Description	50° ELLIPSOIDAL REFLECTOR SPOTLIGHT WITH C-CLAMP, COLOR FRAME, AND SAFETY CABLE	Location	VARIOUS	Type
				CA-50

ETC®

Source Four® 50°

Ellipsoidal Series

PHYSICAL



Source Four Weights*

MODEL	WEIGHT		SHIPPING WEIGHT	
	lbs	kgs	lbs	kgs
50°	14	6.4	20	9.1

*Includes 2.3 lbs for C-clamp

ORDERING INFORMATION

Continued from front page...

Source Four Accessories

MODEL	DESCRIPTION
450LT	50° lens tube with lens installed (black)
450LT-1	50° lens tube with lens installed (white)
450EDLT	50° Enhanced Definition Lens Tube complete (black)
450EDLT-1	50° Enhanced Definition Lens Tube complete (white)
400CC	C-clamp (included)
400PH-A	Pattern holder (A size)
400PH-B	Pattern holder (B size)
400PH-G	Glass pattern holder
400SC	Safety cable
400RS	Drop-in iris
400CF	Colorframe (6.25") (included)
400DN	Donut (6.25")
400TH	Top hat
400HH	Half hat
400GE	Gel extender
407GE	Conical gel extender
407CF	7.5" Square color frame (required for 14°, 70°, 90° and 407GE)
400FB	Source Four fixture body, single clutch

Note: For colors other than black or white, please call ETC.

Source Four products are protected by one or more of the following patents:

U.S.	USRE36,3316, US5,345,371, US6,092,914 and US5,775,799
U.K.	GB0592589, GB0673488, 99930527.9*
Germany	DE0592589, GB0673488, 99930527.9*
Japan	JP2,501,772

* European patent application number



Corporate Headquarters • 3031 Pleasant View Rd, PO Box 670979, Middleton WI 53562-0979 USA • Tel +1 508 831-4116 • Fax +1 508 836 1730
 London, UK • Unit 26-28, Victoria Industrial Estate, Victoria Road, London W3 6LU, UK • Tel +44 (0)20 8896 1000 • Fax +44 (0)20 8896 2000
 Rome, IT • Via Pave Torona, 48, 00156 Rome, Italy • Tel +39 (06) 52 131 643 • Fax +39 (0)6 4752 8486
 Holzkirchen, DE • Christalle 2, 83607 Holzkirchen, Germany • Tel +49 (89) 241 47 00-0 • Fax +49 (89) 241 47 00-3 000
 Hong Kong • Room 1801, 18/F, Tower 1 Phase 1, Enterprise Square, 9 Sheung Yuet Road, Kowloon Bay, Kowloon, Hong Kong • Tel +852 2799 1210 • Fax +852 2799 9378
 Web • www.etcconnect.com • Copyright © 2010 ETC. All Rights Reserved. All product information and specifications subject to change. 706641010.Bee IS Printed in USA 12/10

4 of 4

Contact:
Alana Shepherd
ashepherd@uidaho.edu
917 830 6922

2024 Lighting Acquisition
ISSUE FOR BID

University of Idaho
Theatre Arts



Fixture Information	Manufacturer	Part Number				
	ETC	450-B+400SC				
	Mounting	Control Type		Input Watts	Voltage	Ballast/Trans/Drvr
Source Info	C-CLAMP	LINE		750 W	120	NONE
	Lamp Manufacturer	Lamp Info/Part #	# Lamps	Lamp Watts	Color/CCT	Finish
Notes	USHIO	HPL750	1	750 W	3200K	BLACK

Description	LED WASH WITH MOTORIZED 13°-44° ZOOM, AND RGBIL COLOR MIXING.	Location	VARIOUS	Type
				LA

ETC

ColorSource Fresnel V



ColorSource Series

Type(s)

Project

Date

Notes

Contact:
Alana Shepherd
ashepherd@uiidaho.edu
917 830 6922

2024 Lighting Acquisition
ISSUE FOR BID

University of Idaho
Theatre Arts



GENERAL INFORMATION

An LED luminaire crafted by lighting experts with a proven history of quality fixtures, ColorSource Fresnel V brings a richness of color, increased brightness, and leading technology at a price point you'll love. Featuring a five-color array of red, green, blue, indigo, and lime, the ColorSource Fresnel V provides soft pastels and bold saturated colors from a single fixture. Control the motorized 13°-44° zoom using DMX or manually from the rear of the fixture. ColorSource Fresnel V also features wireless DMX/RDM control using Multiverse® technology, NFC configuration from your mobile device, and next level brightness, making it the ultimate in affordable wash light technology.

FEATURES

- Five-color array (red, green, blue, indigo, and lime)
- Motorized 13-44 degree zoom with DMX and local control
- Simple user interface with seven-segment display
- powerCON® TRUE1® TOP connector
- DMX/RDM In and thru (5-pin XLR)
- Multiverse wireless DMX/RDM
- NFC (near field communication) configuration
- LED droop compensation
- Optically calibrated
- Tour-ready, aluminum housing

APPLICATIONS

- Theatres and performance spaces
- Houses of worship
- Universities and schools
- Hospitality
- Retail
- Exhibition centers
- Meeting rooms
- Clubs
- Cafeteriums

ORDERING INFORMATION

ColorSource Fresnel V

Model	Description	ETL Part Number	CE Part Number
CSFRESVMV	ColorSource Fresnel V LED Fixture, black	7417A1011	7417A1211

Color options: -1 = white, -5 = silver gray, -8 = custom colors.

Also available without Multiverse wireless control. Contact your dealer for ordering information.

Additional ordering information (including accessories) can be found on pages 6-7.



Fixture Information	Manufacturer	Part Number					
	ETC	CSFRESV+407CF+400SC+400CC+400BD+T1PJ-10					
	Mounting	Control Type		Input Watts	Voltage	Ballast/Trans/Drvr	
Source Info	C-CLAMP	DMX		148 W	120	INTEGRAL ELECT	
	Lamp Manufacturer	Lamp Info/Part #		# Lamps	Lamp Watts	Color/CCT	Finish
Notes	N/A	N/A		1	148 W	RGBIL	BLACK
SUPPLY WITHOUT MULTIVERSE WIRELESS CONTROL OPTION.							

Description	LED WASH WITH MOTORIZED 13°-44° ZOOM, AND RGBIL COLOR MIXING.	Location	VARIOUS	Type
				LA

ETC

ColorSource Fresnel V

ColorSource Series

PRODUCT SPECIFICATIONS

Source

LED details	44 Lumileds LUXEON® C LEDs
Max lumens	5330
Lumens per watt	36
L70 rating (hours to 70% output)*	54,000 hours

Color

Colors used	Red, Green, Blue, Indigo, Lime
Color temperature range	Color mixing
Calibrated array	Yes
Red shift	No

Optical

Beam angle range	13°-44°
Gate size	N/A
Aperture size	190 mm (7.48 in)
Pattern projection	No
Pattern size	N/A
Camera flicker	5,000 Hz (default) and 25,000 Hz (via control/Hz range)
Control/Hz range	RDM

Control

Input method	5-Pin XLR, Multiverse wireless (optional), and NFC
Protocols	DMX-512, RDM, City Theatrical Multiverse (optional), NFC
Modes (footprint)	4 modes, see page 6
RDM configuration	Yes
UI type	Seven-segment display, three-button interface, Focus encoder
Local control	Yes
Onboard presets	Yes (12)
Onboard sequences	Yes (5)
Onboard effects	No
FixtureLink	Yes
Notes	15-bit virtual dimming engine

Wireless

Band	2.400-2.480 GHz
Range	100 m indoors, 500 m line of sight (subject to conditions)
Max receivers	DMX: No limit RDM: Varies by transmitter used Multiverse ShoW Baby®: 585 Multiverse Transmitter: 5,000
Broadcast power	100 mW

Electrical

Voltage range	100-240 VAC 50/60 Hz
Input method	powerCON TRUE1 TOP power in and thru
Inrush (first half-cycle)	120 V: 36 A 240 V: 57 A
Fixtures per circuit on standard R20 breaker	9 (link up to 8 via Power Thru connector)* Note: TRUE1 connector rated for 20 A (120 V / 60 Hz) and 16 A (240 V / 50 Hz)
Wattage (typical)	120 V: 148.4 W 230 V: 147.0 W
Current draw	120 V: 1.28 A 230 V: 0.70 A

*Note: All measurements are for 120 V, 60 Hz. Results may vary in different regions.

Thermal

Ambient operating temp	0°C-40° C (32°F-104° F)
Fan (controllable)	Yes (yes)
Drop compensation	Yes
Average dB	22.7 dBA
BTUs/hour (120 V)	508

Physical

Materials	Cast and extruded aluminum
Color options	Black, white, silver, or custom color
Mounting options	Yoke
IP rating	IP20
Weight	6.24 kg (13.75 lb)
Included accessories	Yoke, power cable

Warranty

Fixture	5 years
LED array	10 years

Regulatory and Compliance

Approved regulatory standards	cETLus Listed Conforms to UL 1598 & 924 Complies to CSA C22.2 No. 250.0 and 141 CE & UKCA compliant
-------------------------------	--

*Note: All LED sources experience some lessening of light output and some color shift over time. LED output will vary with thermal conditions. In individual situations, LEDs will be used for different durations and levels. This can eventually lead to minor alterations in color performance, necessitating slight adjustments to presets, cues or programs.

Contact:
Alana Shepherd
ashepherd@uidaho.edu
917 830 6922

2024 Lighting Acquisition
ISSUE FOR BID

University of Idaho
Theatre Arts



Fixture Information	Manufacturer	Part Number					
	ETC	CSFRESV+407CF+400SC+400CC+400BD+T1PJ-10					
	Mounting	Control Type	Input Watts	Voltage	Ballast/Trans/Drvr		
Source Info	C-CLAMP	DMX	148 W	120	INTEGRAL ELECT		
	Lamp Manufacturer	Lamp Info/Part #	# Lamps	Lamp Watts	Color/CCT	Finish	
Notes	N/A	N/A	1	148 W	RGBIL	BLACK	
SUPPLY WITHOUT MULTIVERSE WIRELESS CONTROL OPTION.							

Description	LED WASH WITH MOTORIZED 13°-44° ZOOM, AND RGBIL COLOR MIXING.	Location	VARIOUS	Type
				LA

ETC

ColorSource Fresnel V

ColorSource Series

PRODUCT FEATURES



RGBIL ARRAY

The custom five-color blend of LEDs incorporates indigo and lime to increase spectral reach and color depth.



WIRELESS

Multiverse gives you up to 10 universes of wireless DMX/RDM control. And NFC configuration is standard with ETC's free Set Light app on your mobile device.

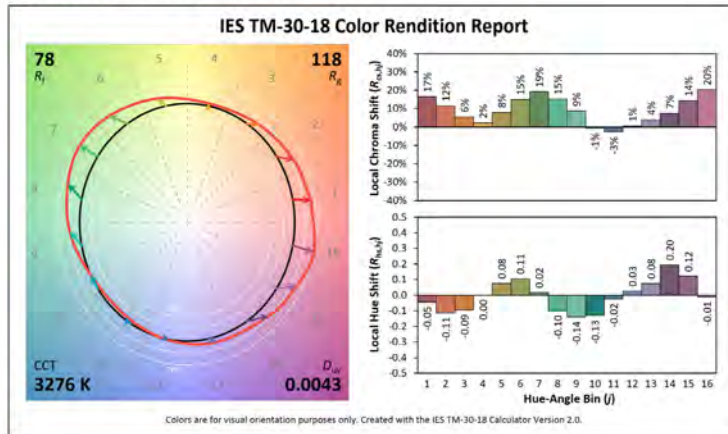


MOTORIZED ZOOM

Control the 13°-44° zoom via DMX or focus it manually from the rear of the fixture.

COLOR METRIC INFORMATION

COLORSOURCE FRESNEL V 3200 K TM-30-18



Contact:
Alana Shepherd
ashepherd@uidaho.edu
917 830 6922

2024 Lighting Acquisition
ISSUE FOR BID

University of Idaho
Theatre Arts



Fixture Information	Manufacturer	Part Number				
	ETC	CSFRESV+407CF+400SC+400CC+400BD+T1PJ-10				
	Mounting	Control Type		Input Watts	Voltage	Ballast/Trans/Drv
Source Info	C-CLAMP	DMX		148 W	120	INTEGRAL ELECT
	Lamp Manufacturer	Lamp Info/Part #	# Lamps	Lamp Watts	Color/CCT	Finish
Notes	N/A	N/A	1	148 W	RGBIL	BLACK
SUPPLY WITHOUT MULTIVERSE WIRELESS CONTROL OPTION.						

Description	LED WASH WITH MOTORIZED 13°-44° ZOOM, AND RGBIL COLOR MIXING.	Location	VARIOUS	Type	LA

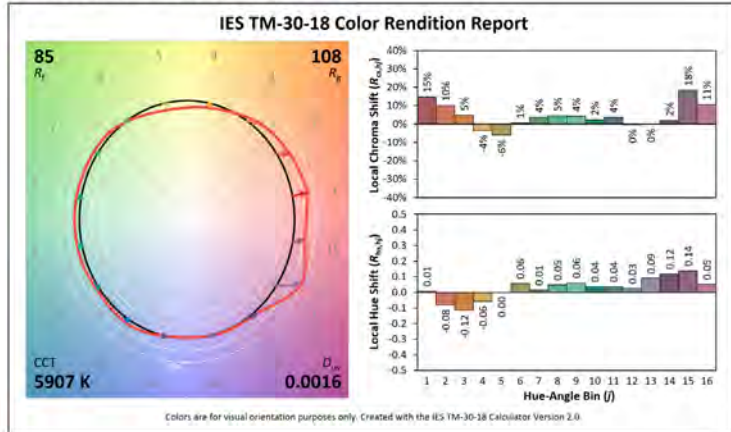
ETC

ColorSource Fresnel V

ColorSource Series

COLOR METRIC INFORMATION

COLORSOURCE FRESNEL V 5600 K TM-30-18

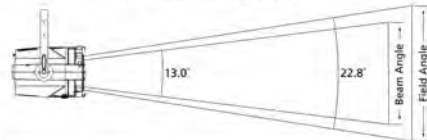


PHOTOMETRY INFORMATION

ColorSource Fresnel V Spot

Mode	Degree	Candela	Field Lumens	Beam Lumens	Power Consumption	Lumens Per Watt
Full On Direct	13	86,166	4,248	2,041	149	28.5
3200 K	13	77,172	3,756	1,803	117.2	32
5600 K	13	76,845	3,741	1,795	131	28.6

Metric conversions: For meters, multiply feet by 0.3048.
For lux, multiply footcandles by 10.76



Throw Distance (d)	10 ft 3.0 m	15 ft 4.6 m	20 ft 6.1 m	30 ft 9.1 m	293.5 ft 89.5 m
Field Diameter	4.0 ft 1.2 m	6.0 ft 1.8 m	8.1 ft 2.5 m	12.1 ft 3.7 m	—
Illuminance (fc)	862	383	215	96	1
Illuminance (lux)	9,275	4,122	2,319	1,031	10.76

To determine center beam illumination in footcandles at any throw distance, divide candela by the throw distance squared.

For field diameter at any distance, multiply distance by 0.403.
For beam diameter at any distance, multiply by 0.228.

4

Contact:
Alana Shepherd
ashepherd@uidaho.edu
917 830 6922

2024 Lighting Acquisition
ISSUE FOR BID

University of Idaho
Theatre Arts



Fixture Information	Manufacturer	Part Number				
	ETC	CSFRESV+407CF+400SC+400CC+400BD+T1PJ-10				
	Mounting	Control Type		Input Watts	Voltage	Ballast/Trans/Drv
Source Info	C-CLAMP	DMX		148 W	120	INTEGRAL ELECT
	Lamp Manufacturer	Lamp Info/Part #	# Lamps	Lamp Watts	Color/CCT	Finish
Notes	N/A	N/A	1	148 W	RGBIL	BLACK
Notes	SUPPLY WITHOUT MULTIVERSE WIRELESS CONTROL OPTION.					

Description	LED WASH WITH MOTORIZED 13°-44° ZOOM, AND RGBIL COLOR MIXING.	Location	VARIOUS	Type
				LA

ETC

ColorSource Fresnel V

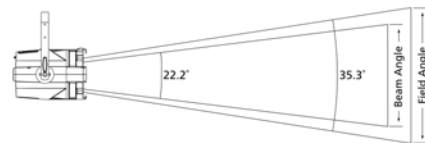
ColorSource Series

PHOTOMETRY INFORMATION

ColorSource Fresnel V Mid

Mode	Degree	Candela	Field Lumens	Beam Lumens	Power Consumption	Lumens Per Watt
Full On Direct	22	38,530	4,981	2,781	149	33.4
3200 K	22	34,508	4,404	2,456	117.2	37.6
5600 K	22	34,362	4,387	2,446	131	33.5

Metric conversions: For meters, multiply feet by 0.3048.
For lux, multiply footcandles by 10.76.



Throw Distance (d)	10 ft 3.0 m	15 ft 4.6 m	20 ft 6.1 m	30 ft 9.1 m	196.3 ft 59.8 m
Field Diameter	6.4 ft 1.9 m	9.5 ft 2.9 m	12.7 ft 3.9 m	19.1 ft 5.8 m	-
Illuminance (fc)	385	171	96	43	1
Illuminance (lux)	4,147	1,843	1,037	461	10.76

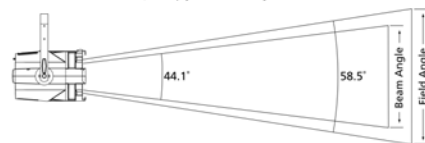
To determine center beam illumination in footcandles at any throw distance, divide candela by the throw distance squared.

For field diameter at any distance, multiply distance by 0.635.
For beam diameter at any distance, multiply by 0.392.

ColorSource Fresnel V Flood

Mode	Degree	Candela	Field Lumens	Beam Lumens	Power Consumption	Lumens Per Watt
Full On Direct	44	11,602	5,330	3,757	149	35.8
3200 K	44	10,391	4,713	3,318	117.2	40.2
5600 K	44	10,347	4,694	3,305	131	35.8

Metric conversions: For meters, multiply feet by 0.3048.
For lux, multiply footcandles by 10.76.



Throw Distance (d)	10 ft 3.0 m	15 ft 4.6 m	20 ft 6.1 m	30 ft 9.1 m	107.7 ft 32.8 m
Field Diameter	11.2 ft 3.4 m	16.8 ft 5.1 m	22.4 ft 6.8 m	33.6 ft 10.2 m	-
Illuminance (fc)	116	52	29	13	1
Illuminance (lux)	1,249	555	312	139	10.76

To determine center beam illumination in footcandles at any throw distance, divide candela by the throw distance squared.

For field diameter at any distance, multiply distance by 1.120.
For beam diameter at any distance, multiply by 0.810.

5

Contact:
Alana Shepherd
ashepherd@uidaho.edu
917 830 6922

2024 Lighting Acquisition
ISSUE FOR BID

University of Idaho
Theatre Arts



Fixture Information	Manufacturer	Part Number					
	ETC	CSFRESV+407CF+400SC+400CC+400BD+T1PJ-10					
	Mounting	Control Type		Input Watts	Voltage	Ballast/Trans/Drv	
Source Info	C-CLAMP	DMX		148 W	120	INTEGRAL ELECT	
	Lamp Manufacturer	Lamp Info/Part #		# Lamps	Lamp Watts	Color/CCT	Finish
Notes	N/A						
	SUPPLY WITHOUT MULTIVERSE WIRELESS CONTROL OPTION.						

Description	LED WASH WITH MOTORIZED 13°-44° ZOOM, AND RGBIL COLOR MIXING.	Location	VARIOUS	Type	LA

ETC

ColorSource Fresnel V

ColorSource Series

CONTROL

DMX Input Channel Profiles

DMX PROFILE	DMX CHANNELS	CHANNEL ASSIGNMENTS	NOTES
Stn: Standard (Default mode)	7	1-Intensity 2-Red 3-Green 4-Blue 5-Strobe 6-Zoom 7-Fan	Indigo and Lime are mixed automatically.
RGB	4	1-Red 2-Green 3-Blue 4-Zoom	Indigo and Lime are mixed automatically.
1ch: 1-channel	1	1-Intensity	This mode controls the intensity of Preset 1.
Dir: Direct	9	1-Intensity 2-Red 3-Green 4-Blue 5-Indigo 6-Lime 7-Strobe 8-Zoom 9-Fan	

ADDITIONAL ORDERING INFORMATION

Accessories

MODEL	DESCRIPTION	PART NUMBER
407CF	Color frame (7.5 in)	7061A3007
400SC	Safety cable	7060A1022
400CC	C-clamp	7060A2009
400PTH3	Top hat, 3 in	PSF1022
400PTH6	Top hat, 6 in	PSF1023
400PHH	Half hat	PSF1027
400WB	Weighted base	PSF1032
400XBTH	Cross baffle top hat	PSF1031
400L	Egg crate louver	PSF1028
400BD	Barn door, 4-leaf with extension ring, 190 mm (7.5 in), black (for use in inner accessory slot to reduce light leak)	PSF1019
400BDS	Barn door, 4-leaf with short extension ring, 190mm (7.5 in), black	PSF1095*
FRESBD7.5	Studio barn door, 8-leaf, 190 mm (7.5 in), black	PSF1191
BDS	Studio barn door, 4-leaf, 190 mm (7.5 in), black	PSF1101

*Use of the barn door will reduce beam angle in wide settings

Contact:
Alana Shepherd
ashepherd@uidaho.edu
917 830 6922

2024 Lighting Acquisition
ISSUE FOR BID

University of Idaho
Theatre Arts



Fixture Information	Manufacturer	Part Number				
	ETC	CSFRESV+407CF+400SC+400CC+400BD+T1PJ-10				
	Mounting	Control Type	Input Watts	Voltage	Ballast/Trans/Drvr	
Source Info	C-CLAMP	DMX	148 W	120	INTEGRAL ELECT	
Source Info	Lamp Manufacturer	Lamp Info/Part #	# Lamps	Lamp Watts	Color/CCT	Finish
	N/A	N/A	1	148 W	RGBIL	BLACK
Notes	SUPPLY WITHOUT MULTIVERSE WIRELESS CONTROL OPTION.					

Description	LED WASH WITH MOTORIZED 13°-44° ZOOM, AND RGBIL COLOR MIXING.	Location	VARIOUS	Type
				LA

ETC

ColorSource Fresnel V

ColorSource Series

ADDITIONAL ORDERING INFORMATION

Multiverse

MODEL	DESCRIPTION	PART NUMBER
CT-5900	City Theatrical Multiverse SHoW Baby	4360A1091
CT-5902	City Theatrical Multiverse Node 900 MHz / 2.4 GHz	4360A1092
CT-5903	City Theatrical Multiverse Node 2.4 GHz	4360A1093
CT-5910	City Theatrical Multiverse Transmitter 900 MHz / 2.4 GHz	4360A1094
CT-5911	City Theatrical Multiverse Transmitter 2.4 GHz	4360A1095

Power Input Cables

Use information below to order 1.5 m (5 ft) power input leads with factory-fitted connectors. CE fixtures ship with powerCON TRUE1 TOP to bare end cables in the box.

MODEL	DESCRIPTION	PART NUMBER (NOT CE)
T1PA-A	1.5 m (5 ft) Edison plug to TRUE1 receptacle, UL 1573, black	2500B7029-A
T1PA-B	1.5 m (5 ft) Stage Pin plug to TRUE1 receptacle, UL 1573, black	2500B7029-B
T1PA-C	1.5 m (5 ft) Twist Lock plug to TRUE1 receptacle, UL 1573, black	2500B7029-C
T1PA-X	1.5 m (5 ft) Bare end pigtail to TRUE1 receptacle, UL 1573, black	2500B7029-X

Power Thru Jumpers

Note: Power thru jumpers connect to a fixture's output (thru) connector to provide a link to successive fixtures.

MODEL	DESCRIPTION	PART NUMBER (NOT CE)
T1PJ-5	1.5 m (5 ft) TRUE1 plug to TRUE1 receptacle fixture power jumper, UL rated, black	2500B7030
T1PJ-10	3 m (10 ft) TRUE1 plug to TRUE1 receptacle fixture power jumper, UL rated, black	2500B7031
DPT1A-5	1.5 m (5 ft) powerCON plug (gray) to TRUE1 receptacle adapter cable, black	2500B7038
T1DPA-5	1.5 m (5 ft) TRUE1 plug to powerCON receptacle (blue) adapter cable, black	2500B7039

Contact:
Alana Shepherd
ashepherd@uidaho.edu
917 830 6922

2024 Lighting Acquisition
ISSUE FOR BID

University of Idaho
Theatre Arts



7

Fixture Information	Manufacturer	Part Number					
	ETC	CSFRESV+407CF+400SC+400CC+400BD+T1PJ-10					
	Mounting	Control Type		Input Watts	Voltage	Ballast/Trans/Drvr	
Source Info	C-CLAMP	DMX		148 W	120	INTEGRAL ELECT	
Source Info	Lamp Manufacturer	Lamp Info/Part #	# Lamps	Lamp Watts	Color/CCT	Finish	
	N/A	N/A	1	148 W	RGBIL	BLACK	
Notes	SUPPLY WITHOUT MULTIVERSE WIRELESS CONTROL OPTION.						

Description	LED WASH WITH MOTORIZED 13°-44° ZOOM, AND RGBIL COLOR MIXING.	Location	VARIOUS	Type
				LA

ETC

ColorSource Fresnel V

ColorSource® Series

PHYSICAL

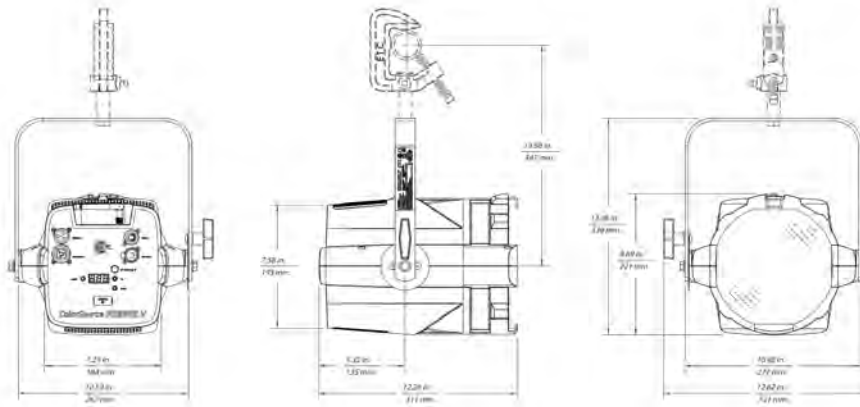
ColorSource Fresnel V Dimensions

Model	Height		Width		Depth	
	mm	in	mm	in	mm	in
Fresnel V	339	13.36	321	12.62	311	12.26

ColorSource Fresnel V Weights

Model	Weight		Shipping Weight	
	kg	lb	kg	lb
Fresnel V	6.24	13.75	8.62	19

COLORSOURCE FRESNEL V



Corporate Headquarters • Middleton, WI, USA
 Global Offices • London, UK • Rome, IT • Heidelberg, DE • Paris, FR • Hong Kong
 Dubai, UAE • Singapore • New York, NY • Orlando, FL • Los Angeles, CA • Austin, TX
 ©2023 ETC. All Rights Reserved. All product information and specifications subject to change. Part C 202310.
 *Trademarks and patent info [etconnect.com](#) • Third party license agreement info [etconnect.com](#)

etconnect.com

Contact:
 Alana Shepherd
 ashepherd@uidaho.edu
 917 830 6922

2024 Lighting Acquisition
 ISSUE FOR BID

University of Idaho
 Theatre Arts



Fixture Information	Manufacturer	Part Number				
	ETC	CSFRESV+407CF+400SC+400CC+400BD+T1PJ-10				
	Mounting	Control Type		Input Watts	Voltage	Ballast/Trans/Drvr
Source Info	C-CLAMP	DMX		148 W	120	INTEGRAL ELECT
Notes	Lamp Manufacturer	Lamp Info/Part #	# Lamps	Lamp Watts	Color/CCT	Finish
	N/A	N/A	1	148 W	RGBIL	BLACK
SUPPLY WITHOUT MULTIVERSE WIRELESS CONTROL OPTION.						

Description

LED FRAMING PROFILE WITH 3.8°-55° ZOOM, 15,400 LUMEN OUTPUT, CMY COLOR MIXING, IRIS, ROTATING GOBO WHEEL, AND DUAL PRISMS.

Location

VARIOUS

Type

MA

ETC



Lonestar

High End Systems

Type(s)

Project

Date

Notes

GENERAL INFORMATION

The High End Systems Lonestar brings the renowned brightness, quality, and performance of our bright white LED framing fixtures in a more compact package. With more than 15,400 lumens and a rich feature set, Lonestar is a perfect addition to lighting systems in theatres, television studios, cruiseships, and other small to medium-sized venues. The luminaire's rich colors, powerful zoom, full curtain framing, diffusion, and prism effects make Lonestar a versatile and affordable tool for designers who want maximum performance from a compact-sized automated fixture.

Applications

- Houses of worship
- Nightclubs and retail installations
- Small to medium-sized performance venues
- Cruiseships and themed entertainment
- Production rental companies
- Tradeshow and ballroom AV
- Studio and film

Product Features

- Bright white LED engine
- 290 W Ultra-Bright engine
- Fixture output 15,400 lumens
- High quality 13-lens optic system
- Extremely powerful 3.8°-55° zoom
- CMY color mixing system
- Electronic linear CCT mixing control
- Ten position plus open color wheel
- Full-curtain framing system for total control of beam shaping
- 16-blade iris for extremely tight beam effects
- Two diffusion Light and Medium system with additional, optional heavy diffusion
- Nine position plus open Rotating Gobo Wheel
- Dual prisms for compound beam and projection effects
- Linearly insertable rotating animation wheel

ORDERING INFORMATION

Model	Description
LS-UB-MI 2550A1200-B	Lonestar, Black, Ultra-Bright in Molded Insert, Boxed
RC-LS 2550K1001	Road Case, Holds Up to Three (3) Lonestar Fixtures in Molded Insert

Color Options: Fixtures ship standard in black. White available by request.
Included Accessories: Fixture includes two (2) 107 mm Three-hole Omega brackets, one (1) fixture power cord with bare ends to powerCON® TRUE1™ TOP input, and a safety cable.

Accessories

Part Number	Description
LS-TH 2550A1020	Top Hat, Snoot for Lonestar
LSA-HFROST 2550A2083	Heavy Frost Accessory for Lonestar
2500B7029-A	Fixture Power Cord Upgrade, 5-15 Edison to powerCON TRUE1 TOP, 15 A
2560B7005	Fixture Power Cord Upgrade, Stage Pin to powerCON TRUE1 TOP, 20 A
2560B7006	Fixture Power Cord Upgrade, L6-20 to powerCON TRUE1 TOP, 20 A
2560B7007	Fixture Power Cord Upgrade, L5-20 to powerCON TRUE1 TOP, 20 A
55040014	Cheeseborough 2" Alloy 1/2 Coupler Truss Clamp
67040010	Mini-Claw™



Contact:
Alana Shepherd
ashepherd@uidaho.edu
917 830 6922

2024 Lighting Acquisition
ISSUE FOR BID

University of Idaho
Theatre Arts



Fixture Information	Manufacturer		Part Number				
	ETC		LS-UB-MI-2550A1200-B+2500B7029-A				
Source Info	Mounting		Control Type	Input Watts	Voltage	Ballast/Trans/Drvr	
	OMEGA/C-CLAMP		DMX	290 W	120	INTEGRAL ELECT	
Notes	Lamp Manufacturer	Lamp Info/Part #	# Lamps	Lamp Watts	Color/CCT	Finish	
	N/A	N/A	1	290 W	CMY+WHEEL	BLACK	

Description

LED FRAMING PROFILE WITH 3.8°-55° ZOOM, 15,400 LUMEN OUTPUT, CMY COLOR MIXING, IRIS, ROTATING GOBO WHEEL, AND DUAL PRISMS.

Location

VARIOUS

Type

MA

ETC

Lonestar
High End Systems

PRODUCT SPECIFICATIONS

Source

Engine	Ultra-Bright
LED Details	290 W
Field Lumens	See photometrics on page 4
Integrating Sphere Lumens	15,400 Lumens
LPW	53
LED Life	50,000 hours
Native CCT	7000 K

Color

Color Mixing	Cyan, magenta, yellow, CTO-linear
Color Temperature	Variable down to 2200 K
Color Wheel	Ten (10) dichroic colors plus open

Optical

Beam Angle Range	3.8°-55°
Gate Size	15.8 mm
Aperture Size	120 mm
Pattern Projection	Rotating and indexable wheel with nine (9) patterns plus open
Animation	Bi-directional animation wheel
Prism	Five faced star and four faced linear rotating prism with simultaneous insertion
Diffusion	Light and medium diffusion Optional heavy diffusion in prism slot
Iris	16-blade iris
Framing	Four-plane, full-curtain framing system with 120° module rotation
Flicker Control/Hz Range	2-4 kHz and 16 kHz

Control

Input Method	DMX (5-pin) or Ethernet
Protocols	DMX via RS-485 Art-Net or sACN via Ethernet
Ethernet Pass-Thru	Passive Ethernet in and thru with and without power
Data Conversion	Patented data conversion system for DMX to Ethernet Ethernet to DMX
Modes (Footprint)	Standard vs. Trifusion (48 channels)
RDM Functions	Yes
UI Type	Full color graphical UI with 6-button navigational control
Local Control	Yes
Dimming Performance	16-bit, DMX controlled

Notes: All LED sources experience some lessening of light output and some color shift over time. LED output will vary with thermal conditions. Thermal conditions can be affected by ambient temperatures and orientation.

Electrical

Voltage Range	100-240 V 50-60 Hz
Input Method	powerCON TRUE1 TOP
Wattage (Max)	615 W
Current (Max)	6.2 A @ 100 V
Inrush (First Half Cycle)	120 V: 56.8 A 230 V: 78.0 A
Fixtures per Circuit	2 fixtures (15 A power thru connector) 3 fixtures (R20 module or similar) Note: TRUE1 TOP connector rated for 20 A (120 V / 60 Hz) and 16 A (240 V / 50 Hz)

Thermal

Ambient Operating Temp	-10°-40°C (14°-104°F)
Fan Mode	Standard, Studio, and Linear Continuous control channel
Stationary Noise	35 dBA at full intensity (16.3 dBA background noise)

Physical

Pan and Tilt Range	540° pan, 251° tilt
Max Pan/Tilt Speed	360° in 2.306 s / 180° in 1.26 s
Materials	Steel and aluminum frame with molded plastic covers
Color Options	Black, white by request
Mounting Options	Any orientation
IP Rating	IP20
Weight	22.7 kg (50 lb)
Included Accessories	powerCON TRUE1 TOP to bare end fixture tail Two (2) 107 mm three-hole Omega clamp brackets Safety cable

Warranty

Fixture Warranty	Five (5) years for light engine Two (2) years for complete fixture
Warranty Details	http://www.etcconnect.com/customer/warranty.aspx

Regulatory & Compliance

Regulatory Standards	Listed to UL 1573 Certified to CSA STD. C22.2 No. 166 FCC Class A EAC
CE compliance declared to these standards	Safety: EN 60598-1, EN 60598-2-17, EN 62031, EN 62471 EMC: EN 55015, EN 61547, EN 61000-3-2, EN 61000-3-3
Complies to the RoHS directive	Yes

Safety

Safety	Minimum distance to illuminated surface = 3.0 m (10 ft) Minimum distance from fixture head to combustible materials = 0.1 m (4.0 in)
--------	---

Contact:
Alana Shepherd
ashepherd@uidaho.edu
917 830 6922

2024 Lighting Acquisition
ISSUE FOR BID

University of Idaho
Theatre Arts



Fixture Information	Manufacturer	Part Number					
	ETC	LS-UB-MI-2550A1200-B+2500B7029-A					
	Mounting	Control Type	Input Watts	Voltage	Ballast/Trans/Drvr		
Source Info	OMEGA/C-CLAMP	DMX	290 W	120	INTEGRAL ELECT		
	Lamp Manufacturer	Lamp Info/Part #	# Lamps	Lamp Watts	Color/CCT	Finish	
Notes	N/A	N/A	1	290 W	CMY+WHEEL	BLACK	

Description

LED FRAMING PROFILE WITH 3.8°-55° ZOOM, 15,400 LUMEN OUTPUT, CMY COLOR MIXING, IRIS, ROTATING GOBO WHEEL, AND DUAL PRISMS.

Location

VARIOUS

Type

MA

ETC

Lonestar
High End Systems

FEATURE DETAILS

Rotating Gobo Details

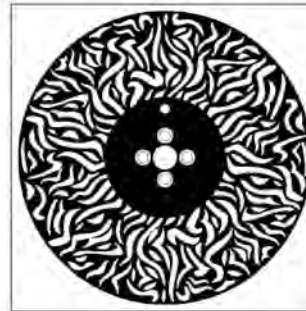
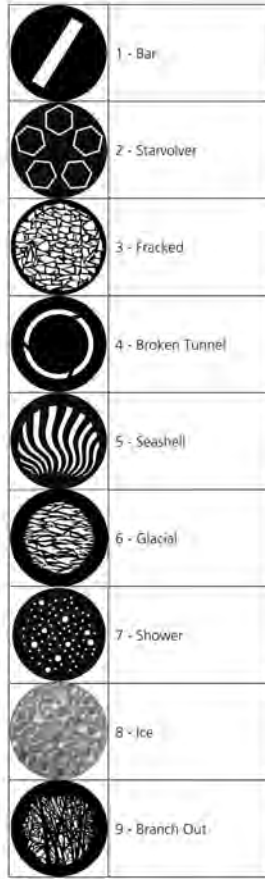
Outside Diameter	17.5 mm (0.69 in)
Image Diameter	13 mm (0.51 in)
Materials	0.5 mm aluminum 1.1 mm glass Borofloat®

Color Wheel Details

Shape	fixed wedge
Materials	1.1 mm glass Borofloat

Animation Wheel Details

Movement	Bi-directional continuous rotation
Materials	0.5 mm aluminum



Contact:
Alana Shepherd
ashepherd@uidaho.edu
917 830 6922

2024 Lighting Acquisition
ISSUE FOR BID

University of Idaho
Theatre Arts



Fixture Information	Manufacturer		Part Number				
	ETC		LS-UB-MI-2550A1200-B+2500B7029-A				
	Mounting		Control Type		Input Watts	Voltage	Ballast/Trans/Drv
Source Info	OMEGA/C-CLAMP		DMX		290 W	120	INTEGRAL ELECT
	Lamp Manufacturer	Lamp Info/Part #	# Lamps	Lamp Watts	Color/CCT		Finish
Notes	N/A	N/A	1	290 W	CMY+WHEEL		BLACK

Description	LED FRAMING PROFILE WITH 3.8°-55° ZOOM, 15,400 LUMEN OUTPUT, CMY COLOR MIXING, IRIS, ROTATING GOBO WHEEL, AND DUAL PRISMS.	Location	VARIOUS	Type	MA

ETC

Lonestar
High End Systems

PHOTOMETRIC DATA

Lonestar - Ultra-Bright

	Degree	Candela	Field Lumens	Power Usage	Lumens Per Watt
Narrow	3.8°	1,771,100	5,209	290 W	18
Medium	26°	143,900	12,073	290 W	42
Wide	55°	30,000	10,700	290 W	37

Narrow - 3.8°

Throw Distance	10 ft 3.0 m	20 ft 6.1 m	30 ft 9.1 m	50 ft 15.2 m	200 ft 61 m
Field Diameter	0.7 ft 0.21 m	1.3 ft 0.41 m	2.0 ft 0.61 m	3.3 ft 1.02 m	13.3 ft 4.05 m
Illuminance (fc)	17,711	4,428	1,968	709	45
Illuminance (lux)	190,564	47,641	21,174	7,623	476

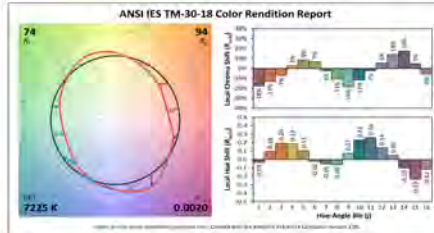
Medium - 26°

Throw Distance	10 ft 3.0 m	20 ft 6.1 m	30 ft 9.1 m	50 ft 15.2 m	200 ft 61 m
Field Diameter	4.6 ft 1.41 m	9.2 ft 2.82 m	13.9 ft 4.23 m	23.1 ft 7.04 m	92.3 ft 28.15 m
Illuminance (fc)	1,439	360	160	58	4
Illuminance (lux)	15,479	3,870	1,720	619	39

Wide - 55°

Throw Distance	10 ft 3.0 m	20 ft 6.1 m	30 ft 9.1 m	50 ft 15.2 m	200 ft 61 m
Field Diameter	10.4 ft 3.18 m	20.8 ft 6.35 m	31.2 ft 9.53 m	52.1 ft 15.87 m	208.2 ft 63.47 m
Illuminance (fc)	300	75	34	12	1
Illuminance (lux)	3,226	807	358	129	8

To determine center beam illumination in footcandles at any throw distance, divide candela by the throw distance squared.
Metric conversions: For meters, multiply feet by 0.3048.
For lux, multiply footcandles by 10.76.



Additional Color Metrics	
CRI R _a (R ₉)	73 (-24)
TLCI	50

Contact:
Alana Shepherd
ashepherd@uidaho.edu
917 830 6922

2024 Lighting Acquisition
ISSUE FOR BID

University of Idaho
Theatre Arts



Fixture Information	Manufacturer	Part Number				
	ETC	LS-UB-MI-2550A1200-B+2500B7029-A				
	Mounting	Control Type	Input Watts	Voltage	Ballast/Trans/Drv	
Source Info	OMEGA/C-CLAMP	DMX	290 W	120	INTEGRAL ELECT	
Notes	Lamp Manufacturer	Lamp Info/Part #	# Lamps	Lamp Watts	Color/CCT	Finish
	N/A	N/A	1	290 W	CMY+WHEEL	BLACK

Description

LED FRAMING PROFILE WITH 3.8°-55° ZOOM, 15,400 LUMEN OUTPUT, CMY COLOR MIXING, IRIS, ROTATING GOBO WHEEL, AND DUAL PRISMS.

Location

VARIOUS

Type

MA

ETC

Lonestar
High End Systems

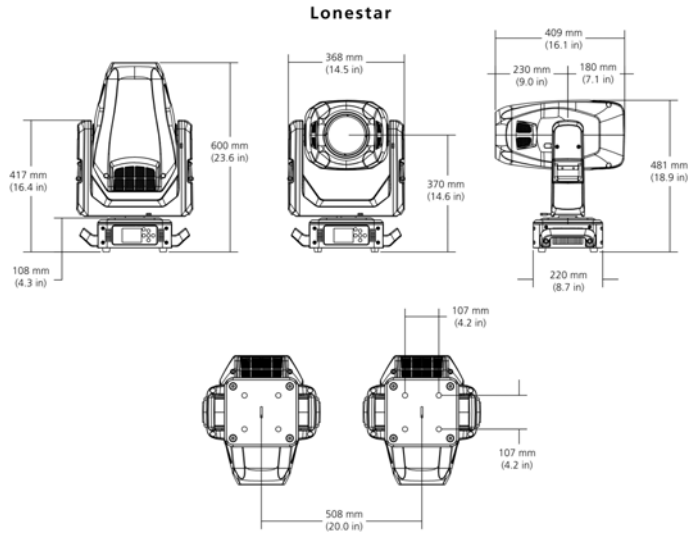
Product Dimensions

Model	Height		Width		Depth	
	in	mm	in	mm	in	mm
Lonestar**	23.6	600	14.5	368	8.7	221
Lonestar in Box with Molded Insert	26.6	676	21.1	536	14.9	378

Product Weight

Model	Weight	
	lb	kg
Lonestar**	50.0	22.7
Lonestar in Box with Molded Insert	77	34.9

**Does not include mounting hardware



Power Table

VAC	Amps	Hz	Watts	VA	PF
100	6.2	50	615	619	0.99
120	5.1	60	611	614	0.99
200	2.9	50	570	602	0.97
208	2.9	60	583	602	0.97
220	2.7	50	579	599	0.97
230	2.6	50	580	596	0.96
240	2.5	60	575	607	0.95

5

Contact:
Alana Shepherd
ashepherd@uidaho.edu
917 830 6922

2024 Lighting Acquisition
ISSUE FOR BID

University of Idaho
Theatre Arts



Fixture Information	Manufacturer		Part Number				
	ETC		LS-UB-MI-2550A1200-B+2500B7029-A				
	Mounting		Control Type		Input Watts	Voltage	Ballast/Trans/Drv
OMEGA/C-CLAMP		DMX		290 W	120	INTEGRAL ELECT	
Source Info	Lamp Manufacturer	Lamp Info/Part #		# Lamps	Lamp Watts	Color/CCT	Finish
	N/A	N/A		1	290 W	CMY+WHEEL	BLACK
Notes							

Description	LED FRAMING PROFILE WITH 3.8°-55° ZOOM, 15,400 LUMEN OUTPUT, CMY COLOR MIXING, IRIS, ROTATING GOBO WHEEL, AND DUAL PRISMS.	Location	VARIOUS	Type
				MA

ETC

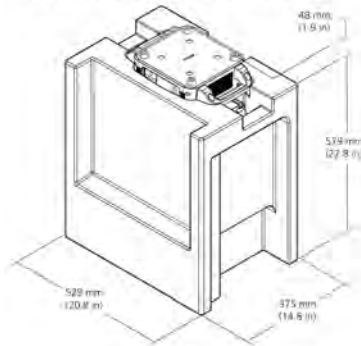
Lonestar*
High End Systems

ADDITIONAL ORDERING INFORMATION

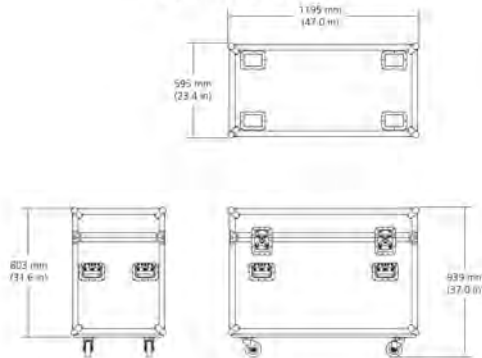
Additional Accessories

Model Number	Description
Z599A2000	Omega bracket, 107 mm Three-hole (included)
H7180023	Omega bracket, 107 mm Single-hole
H7300105	Galvanized safety cable with spring snap

Molded Case Insert Dimensions



Optional Road Case



Corporate Headquarters • Madison, WI, USA
 Global Offices • London, UK • Rome, IT • Heidelberg, DE • Palm, FL • Hong Kong
 Dubai, UAE • Singapore • New York, NY • Orlando, FL • Los Angeles, CA • Austin, TX
 ©2023 ETC. All rights reserved. All product information and specifications subject to change. See ETC23-02
 *Trademarks and patent info • Third party license agreement info
 etconnect.com

Contact:
Alana Shepherd
ashepherd@uidaho.edu
917 830 6922

2024 Lighting Acquisition
ISSUE FOR BID

University of Idaho
Theatre Arts



Fixture Information	Manufacturer	Part Number				
	ETC	LS-UB-MI-2550A1200-B+2500B7029-A				
	Mounting	Control Type	Input Watts	Voltage	Ballast/Trans/Drvr	
Source Info	Lamp Manufacturer	Lamp Info/Part #	# Lamps	Lamp Watts	Color/CCT	Finish
Notes	OMEGA/C-CLAMP	DMX	290 W	120	INTEGRAL ELECT	
	N/A	N/A	1	290 W	CMY+WHEEL	BLACK

ETC



SolaPix

High End Systems

Type(s)

Project

Date

Notes

Contact:
 Alana Shepherd
 ashepherd@uidaho.edu
 917 830 6922

2024 Lighting Acquisition
 ISSUE FOR BID

University of Idaho
 Theatre Arts



OVERVIEW

Fixture Overview

The SolaPix family of wash fixtures from High End Systems takes the traditional concept of a pixel wash and pushes it to its maximum potential. Whether you are using the fixture to spread color all over a ballroom, tradeshow floor, or concert stage, the bright and punchy output will envelop your production with beautiful saturated color. Additionally, when you need to add interest, the narrow zoom and fully macro- and pixel-controlled face gives you a wide variety of looks and effects to help set the mood and steal the show.

Applications

- Live concerts
- Tradeshow
- Festivals
- Industrial shows
- Award shows
- Studios
- Theatre
- Corporate events

Product Features

- Additive LED, RGBW, color mixing system for extremely powerful saturated colors and tunable white control
- Versatile 4.5°-60° zoom
- Extremely efficient optical system provides market-leading lumen output
- Flex Effects Generator for easily customizable macros
- Pixel mapping on all models
- Modular control with Art-Net, or sACN in addition to simultaneous DMX control
- Patent-Pending HaloGraphic Pixel Definition

ORDERING INFORMATION

SolaPix

Model	Description
2594A1000-B	SolaPix 7, black, packaged in molded insert.
2594K1001	Roadcase for SolaPix 7 (fits up to six (6) SolaPix 7)
2595A1100-B	SolaPix 19, black, packaged in molded insert.
2595K1001	Roadcase for SolaPix 19 (fits up to three (3) SolaPix 19)
2596A1200-B	SolaPix 37, black, packaged in molded insert.
2596K1001	Roadcase for SolaPix 37 (fits up to two (2) SolaPix 37)

Note: Fixture includes two (2) Omega brackets, one (1) fixture power cord, bare ends to powerCON® TRUE1™ TOP input, and a safety cable.

Please see tables on page 9 for bracket type details.

Accessories

Model	Description
2560B7009*	Fixture power cord upgrade, NEMA 5-15P "Edison" to powerCON TRUE1, 15 A
2560B7004	Fixture power cord upgrade, NEMA 5-20P to powerCON TRUE1, 20 A
2560B7005	Fixture power cord upgrade, Stage Pin to powerCON TRUE1, 20 A
2560B7006	Fixture power cord upgrade, I6-20P to powerCON TRUE1, 20 A
2560B7007	Fixture power cord upgrade, I5-20P to powerCON TRUE1, 20 A
67040007	Mega-Claw™
55040014	Cheeseborough 2" Alloy 1/2 Coupler Truss Clamp
67040010	Mini-Claw™

*: Not rated for use with SolaPix 37



Fixture Information	Manufacturer	Part Number				
	ETC	2595A1100-B+2560B7009-A				
	Mounting	Control Type	Input Watts	Voltage	Ballast/Trans/Drv	
Source Info	OMEGA/C-CLAMP	DMX	900 W	120	INTEGRAL ELECT	
	Lamp Manufacturer	Lamp Info/Part #	# Lamps	Lamp Watts	Color/CCT	Finish
Notes	N/A	N/A	1	900 W	RGB+2800K-8000K	BLACK

ETC

SolaPix
High End Systems

PRODUCT SPECIFICATIONS

Source

Fixture Type	SolaPix 7	SolaPix 19	SolaPix 37
LED Quantity	7	19	37
Max. Field Lumens	5,500	14,500	29,000
Integrating Sphere Lumens	5,600	15,200	30,500
LPW	20	20	20
LED Type	40 W Osram Ostar LED		
LED Life	50,000 Hours / 5 year warranty		

Color

Color Mixing	Red, Green, Blue, and White
Color Temperature Range	Variable from 2800-8000 K

Optical

Beam Angle	4.5°-60°
Flicker Control/Hz Range	2.4 kHz, 16 kHz

Control

Input Method	DMX (5-pin) or Ethernet
Protocols	DMX via RS-485, Art-Net, or sACN via Ethernet
RDM Functions	Yes
UI Type	Full color graphical UI with 6 button navigational control
Local Control	Yes
Effects Engine	Built in effects engine with multi parameter color and speed control
Pixel Mapping	Individual addressing via DMX, Art-Net, or sACN
Dimming Performance	16-Bit, DMX controlled

Electrical

Fixture Type	SolaPix 7	SolaPix 19	SolaPix 37
Max Wattage	400 W	900 W	1700 W
Max Current	4.0 A @ 100 V 1.7 A @ 240 V	7.6 A @ 100 V 3.8 A @ 240 V	14.3 A @ 120 V 7.2 A @ 240 V
Inrush (First Half Cycle)	120 V: 57 A 230 V: 78 A	120 V: 28 A 230 V: 96 A	120 V: 69 A 230 V: 91 A
Fixtures Per Circuit	5 fixtures (R20 module or similar)	2 fixture (R20 module or similar)	1 fixture (R20 module or similar)
Voltage Range	100-240 V 50-60 Hz		120-240V 50-60Hz
Input Method	powerCON TRUE1		
Additional Details	See pages 6-8 for additional power information		

Thermal

Ambient Operating Temp	0°-40° C (32°-104° F)
Fan Mode	Standard, Studio, User fan control channel

Physical

Fixture Type	SolaPix 7	SolaPix 19	SolaPix 37
Pan and Tilt Range	540° Pan 255° Tilt	540° Pan 255° Tilt	540° Pan 258° Tilt
Max Pan/Tilt Speed	Pan - 360° in 1.2 s Tilt - 180° in 0.66 s	Pan - 360° in 1.6 s Tilt - 180° in 0.91 s	Pan - 360° in 2.5 s Tilt - 180° in 1.72 s
Weight	9.1 kg (20 lb)	15.8 kg (35 lb)	23.6 kg (52 lb)
Materials	Steel and aluminum frame with molded plastic covers		
Color Options	Black, white by request		
Mounting Options	Any orientation		
IP Rating	IP-20		
Included Accessories	powerCON TRUE1 TOP to bare end fixture tail Two (2) Omega brackets Safety cable		

Warranty

Fixture Warranty	Five (5) years for light engine Two (2) year for complete fixture
Warranty Details	www.etcconnect.com/Support/DMX/Products.aspx

Regulatory & Compliance

Regulatory Standards	Listed to UL 1573 Certified to CSA STD. C22.2 No: 166 EAC
CE Compliance Declared to the Following Standards	Safety: EN 60598-1, EN 60598-2-17, EN 62031, EN 62471 EMC: EN 55015, EN 61547, EN 61000-3-2, EN 61000-3-3
Complies to the ROHS Directive	Yes

Safety

Safety	Minimum distance to illuminated surface = 2.0 m Minimum distance from fixture head to combustible materials = 0.1 m
--------	--

Note: All LED sources experience some lessening of light output and some color shift over time. LED output will vary with thermal conditions. Thermal conditions can be affected by ambient temperatures and orientation.

Contact:
Alana Shepherd
ashepherd@uidaho.edu
917 830 6922

2024 Lighting Acquisition
ISSUE FOR BID

University of Idaho
Theatre Arts



Fixture Information	Manufacturer	Part Number				
	ETC	2595A1100-B+2560B7009-A				
	Mounting	Control Type	Input Watts	Voltage	Ballast/Trans/Drvr	
Source Info	OMEGA/C-CLAMP	DMX	900 W	120	INTEGRAL ELECT	
	Lamp Manufacturer	Lamp Info/Part #	# Lamps	Lamp Watts	Color/CCT	Finish
Notes	N/A	N/A	1	900 W	RGB+2800K-8000K	BLACK

Description

LED WASH WITH 4.5°-60° ZOOM, 14,500 LUMEN OUTPUT, RGBW ADDITIVE COLOR MIXING, AND INDIVIDUAL DIODE CONTROL/PIXEL MAPPING.

Location

VARIOUS

Type

MB

ETC

SolaPix

High End Systems

PHOTOMETRIC DATA

SolaPix 7 - All on, Standard Mode

	Degree	Candela	Field Lumens	Power Usage	Lumens Per Watt
Narrow Beam	4.5°	400,700	2,954	280 W	9
Narrow Wash	14°	116,300	3,953	280 W	12
Medium Wash	26°	50,200	4,555	280 W	14
Wide Wash	60°	13,200	5,496	280 W	17

Narrow Beam - 4.5°

Throw Distance	10 ft 3.0 m	20 ft 6.1 m	30 ft 9.1 m	50 ft 15.2 m	200 ft 61 m
Field Diameter	0.8 ft 0.24 m	1.6 ft 0.48 m	2.4 ft 0.72 m	3.9 ft 1.20 m	15.7 ft 4.80 m
Illuminance (fc)	4,007	1,002	446	161	11
Illuminance (lux)	43,105	10,776	4,789	1,724	108

Narrow Wash - 14°

Throw Distance	10 ft 3.0 m	20 ft 6.1 m	30 ft 9.1 m	50 ft 15.2 m	200 ft 61 m
Field Diameter	2.5 ft 0.8 m	4.9 ft 1.5 m	7.4 ft 2.3 m	12.3 ft 3.8 m	49.1 ft 15 m
Illuminance (fc)	1,163	291	130	47	3
Illuminance (lux)	12,512	3,128	1,390	500	31

Medium Wash - 26°

Throw Distance	10 ft 3.0 m	20 ft 6.1 m	30 ft 9.1 m	50 ft 15.2 m	200 ft 61 m
Field Diameter	4.6 ft 1.4 m	9.2 ft 2.8 m	13.9 ft 4.2 m	23.1 ft 7.0 m	92.3 ft 28.2 m
Illuminance (fc)	502	126	56	21	2
Illuminance (lux)	5,394	1,348	599	216	13

Wide Wash - 60°

Throw Distance	10 ft 3.0 m	20 ft 6.1 m	30 ft 9.1 m	50 ft 15.2 m	200 ft 61 m
Field Diameter	11.5 ft 3.52 m	23.1 ft 7.04 m	34.6 ft 10.56 m	57.7 ft 17.60 m	230.9 ft 70.40 m
Illuminance (fc)	132	33	15	6	1
Illuminance (lux)	1,419	355	158	57	4

To determine center beam illumination in footcandles at any throw distance, divide candela by the throw distance squared.

Metric conversions: For meters, multiply feet by 0.3048.
For lux, multiply footcandles by 10.76.

SolaPix 19 - All on, Standard Mode

	Degree	Candela	Field Lumens	Power Usage	Lumens Per Watt
Narrow Beam	4.5°	1,087,400	8,017	570 W	11
Narrow Wash	14°	315,700	10,730	570 W	15
Medium Wash	26°	136,100	12,362	570 W	17
Wide Wash	60°	35,800	14,917	570 W	20

Narrow Beam - 4.5°

Throw Distance	10 ft 3.0 m	20 ft 6.1 m	30 ft 9.1 m	50 ft 15.2 m	200 ft 61 m
Field Diameter	0.8 ft 0.24 m	1.6 ft 0.48 m	2.4 ft 0.72 m	3.9 ft 1.20 m	15.7 ft 4.80 m
Illuminance (fc)	10,874	2,719	1,209	435	28
Illuminance (lux)	117,000	29,250	13,000	4,680	293

Narrow Wash - 14°

Throw Distance	10 ft 3.0 m	20 ft 6.1 m	30 ft 9.1 m	50 ft 15.2 m	200 ft 61 m
Field Diameter	2.5 ft 0.8 m	4.9 ft 1.5 m	7.4 ft 2.3 m	12.3 ft 3.8 m	49.1 ft 15 m
Illuminance (fc)	3,157	790	351	127	8
Illuminance (lux)	33,960	8,490	3,773	1,358	85

Medium Wash - 26°

Throw Distance	10 ft 3.0 m	20 ft 6.1 m	30 ft 9.1 m	50 ft 15.2 m	200 ft 61 m
Field Diameter	4.6 ft 1.4 m	9.2 ft 2.8 m	13.9 ft 4.2 m	23.1 ft 7.0 m	92.3 ft 28.2 m
Illuminance (fc)	1,361	341	152	55	4
Illuminance (lux)	14,640	3,660	1,627	586	10

Wide Wash - 60°

Throw Distance	10 ft 3.0 m	20 ft 6.1 m	30 ft 9.1 m	50 ft 15.2 m	200 ft 61 m
Field Diameter	11.5 ft 3.52 m	23.1 ft 7.04 m	34.6 ft 10.56 m	57.7 ft 17.60 m	230.9 ft 70.40 m
Illuminance (fc)	358	90	40	15	1
Illuminance (lux)	3,852	963	428	154	4

Contact:
Alana Shepherd
ashepherd@uidaho.edu
917 830 6922

2024 Lighting Acquisition
ISSUE FOR BID

University of Idaho
Theatre Arts



Fixture Information	Manufacturer		Part Number				
	ETC		2595A1100-B+2560B7009-A				
	Mounting		Control Type		Input Watts	Voltage	Ballast/Trans/Drv
Source Info	OMEGA/C-CLAMP		DMX		900 W	120	INTEGRAL ELECT
	Lamp Manufacturer	Lamp Info/Part #		# Lamps	Lamp Watts	Color/CCT	Finish
Notes	N/A		N/A		1	900 W	RGB+2800K-8000K

Description	LED WASH WITH 4.5°-60° ZOOM, 14,500 LUMEN OUTPUT, RGBW ADDITIVE COLOR MIXING, AND INDIVIDUAL DIODE CONTROL/PIXEL MAPPING.	Location	VARIOUS	Type
				MB

ETC

SolaPix
High End Systems

COLOR METRIC DATA

SolaPix tuned to 3200 K

ANSI IES TM-30-18 Color Rendition Report

CCT: 3201 K, D_{uv}: 0.0000

Additional Color Metrics

CRI Ra (R9)	76
TLCI	66

SolaPix tuned to 4400 K

ANSI IES TM-30-18 Color Rendition Report

CCT: 4395 K, D_{uv}: 0.0001

Additional Color Metrics

CRI Ra (R9)	58
TLCI	39

SolaPix tuned to 6000 K

ANSI IES TM-30-18 Color Rendition Report

CCT: 6024 K, D_{uv}: 0.0000

Additional Color Metrics

CRI Ra (R9)	78
TLCI	74

Contact:
Alana Shepherd
ashepherd@uidaho.edu
917 830 6922

2024 Lighting Acquisition
ISSUE FOR BID

University of Idaho
Theatre Arts



Fixture Information	Manufacturer	Part Number				
	ETC	2595A1100-B+2560B7009-A				
	Mounting	Control Type	Input Watts	Voltage	Ballast/Trans/Drv	
Source Info	OMEGA/C-CLAMP	DMX	900 W	120	INTEGRAL ELECT	
	Lamp Manufacturer	Lamp Info/Part #	# Lamps	Lamp Watts	Color/CCT	Finish
Notes	N/A	N/A	1	900 W	RGB+2800K-8000K	BLACK

Description	LED WASH WITH 4.5°-60° ZOOM, 14,500 LUMEN OUTPUT, RGBW ADDITIVE COLOR MIXING, AND INDIVIDUAL DIODE CONTROL/PIXEL MAPPING.	Location	VARIOUS	Type
				MB

ETC

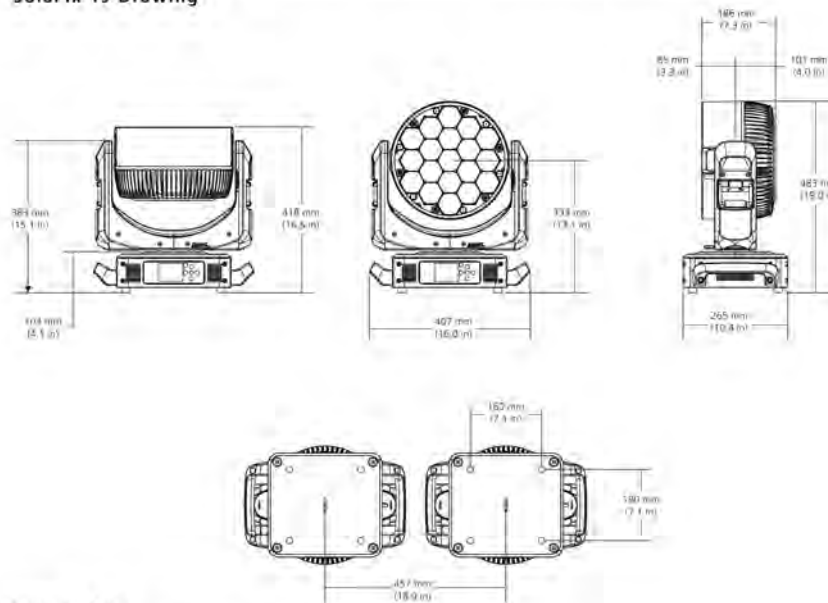
SolaPix
High End Systems

PHYSICAL INFORMATION

SolaPix 19 Dimension Table

Model	Height	Width	Depth	Weight
SolaPix 19	19 in	16 in	10.4 in	35 lb
	483 mm	407 mm	265 mm	15.8 kg
SolaPix 19 in molded insert with box (shipping dimensions)	25 in	22 in	16 in	59 lb
	635 mm	559 mm	407 mm	26.8 kg
Three (3) SolaPix 19 in molded insert with road case (shipping dimensions)	37 in	47 in	23.4 in	296 lb
	939 mm	1195 mm	595 mm	134.3 kg

SolaPix 19 Drawing



Power Table

VAC	Amps	Hz	Watts	VA	PF
100	10.0	50	990	1000	0.99
120	8.1	60	930	965	0.99
200	4.7	50	910	934	0.97
208	4.5	60	928	930	0.97
220	4.3	50	907	938	0.96
240	3.9	60	886	928	0.96

Contact:
Alana Shepherd
ashepherd@uidaho.edu
917 830 6922

2024 Lighting Acquisition
ISSUE FOR BID

University of Idaho
Theatre Arts



Fixture Information	Manufacturer	Part Number				
	ETC	2595A1100-B+2560B7009-A				
	Mounting	Control Type	Input Watts	Voltage	Ballast/Trans/Drv	
Source Info	OMEGA/C-CLAMP	DMX	900 W	120	INTEGRAL ELECT	
Notes	Lamp Manufacturer	Lamp Info/Part #	# Lamps	Lamp Watts	Color/CCT	Finish
	N/A	N/A	1	900 W	RGB+2800K-8000K	BLACK

Description	LED WASH WITH 4.5°-60° ZOOM, 14,500 LUMEN OUTPUT, RGBW ADDITIVE COLOR MIXING, AND INDIVIDUAL DIODE CONTROL/PIXEL MAPPING.	Location	VARIOUS	Type
				MB

ETC

SolaPix
High End Systems

ADDITIONAL ORDERING INFORMATION

SolaPix 7 Accessories

Model #	Description
H7180023	Omega bracket, 107 mm Single-hole
2599A2000	Omega bracket, 107 mm Three-hole (included)
2594A1020	SolaPix 7 Hex Snoot
2594A1021	SolaPix 7 Hex Snoot with Diffuser
H7000012	Galvanized Safety Cable with Spring Snap

SolaPix 19 Accessories

Model #	Description
H7150008	Omega bracket, 180 mm Single-hole (included)
2599A2001	Omega bracket, 180 mm Three-hole
2595A1020	SolaPix 19 Hex Snoot
2595A1021	SolaPix 19 Hex Snoot with Diffusion
H7000012	Galvanized Safety Cable with Spring Snap

SolaPix 37 Accessories

Model #	Description
H7150008	Omega bracket, 180 mm Single-hole (included)
2599A2001	Omega bracket, 180 mm Three-hole
2596A1020	SolaPix 37 Hex Snoot
2596A1021	SolaPix 37 Hex Snoot with Diffusion
H7000012	Galvanized Safety Cable with Spring Snap



Contact:
Alana Shepherd
ashepherd@uidaho.edu
917 830 6922

2024 Lighting Acquisition
ISSUE FOR BID

University of Idaho
Theatre Arts



Fixture Information	Manufacturer	Part Number				
	ETC	2595A1100-B+2560B7009-A				
	Mounting	Control Type	Input Watts	Voltage	Ballast/Trans/Drv	
Source Info	OMEGA/C-CLAMP	DMX	900 W	120	INTEGRAL ELECT	
	Lamp Manufacturer	Lamp Info/Part #	# Lamps	Lamp Watts	Color/CCT	Finish
Notes	N/A	N/A	1	900 W	RGB+2800K-8000K	BLACK

Description	LED WASH WITH 4.5°-60° ZOOM, 14,500 LUMEN OUTPUT, RGBW ADDITIVE COLOR MIXING, AND INDIVIDUAL DIODE CONTROL/PIXEL MAPPING.	Location	VARIOUS	Type
				MB

ETC

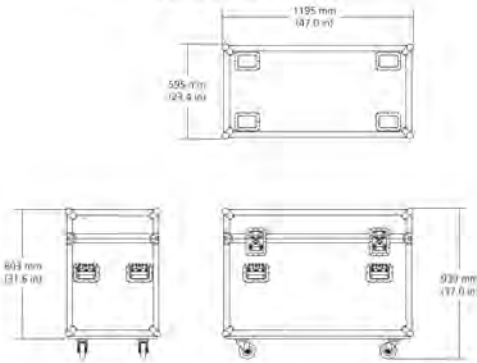
SolaPix*
High End Systems

ADDITIONAL ORDERING INFORMATION

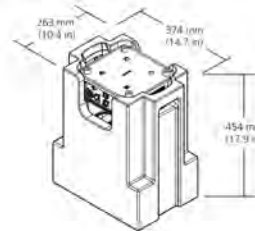
Road Case Accessories

Model #	Description
i02	Spacer for empty road case, Half
i03	Spacer for empty road case, Third
i04	Spacer for empty road case, Quarter
i05	Spacer for empty road case, Sixth

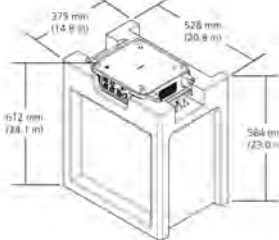
Optional Road Case



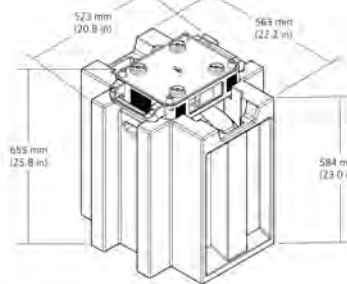
SolaPix 7 Molded Insert



SolaPix 19 Molded Insert



SolaPix 37 Molded Insert



Corporate Headquarters • Madison, WI, USA
 Global Offices • London, UK • Rome, IT • Heidelberg, DE • Paris, FR • Hong Kong
 Dubai, UAE • Singapore • New York, NY • Orlando, FL • Los Angeles, CA • Austin, TX
 Copyright © 2023 ETC. All rights reserved. All product information and specifications subject to change. 001-012311
 *Trademark and patent info.
 etconnect.com

Contact:
Alana Shepherd
ashepherd@uidaho.edu
917 830 6922

2024 Lighting Acquisition
ISSUE FOR BID

University of Idaho
Theatre Arts



Fixture Information	Manufacturer	Part Number				
	ETC	2595A1100-B+2560B7009-A				
	Mounting	Control Type	Input Watts	Voltage	Ballast/Trans/Drv	
Source Info	Lamp Manufacturer	Lamp Info/Part #	# Lamps	Lamp Watts	Color/CCT	Finish
	N/A	N/A	1	900 W	RGB+2800K-8000K	BLACK

Notes	
-------	--

ETC



Ministar

High End Systems

Type(s)	<input style="width: 85%;" type="text"/>
Project	<input style="width: 85%;" type="text"/>
Date	<input style="width: 85%;" type="text"/>
Notes	<div style="border: 1px solid black; height: 80px;"></div>

GENERAL INFORMATION

The High End Systems Ministar is a bright and shining example of reduction without compromising. Ministar's smaller size contains a broad variety of features all while outputting a blistering 9,700 lumens. Perfect for professionals at small to medium venues and where budget is a top priority, Ministar's simple feature set includes a ton of variety and flair. Furthermore, the luminaire's VersaColor capabilities use dual color wheels to create 60 unique colors while QuadraTech can create split and quad color effects for unmatched aerial and projection effects.

Applications

- Nightclubs and concert venues
- Theatre venues
- Cruise ships and themed entertainment
- Houses of worship
- Production rental companies
- Tradeshow and ballroom AV
- Studio and film

Product Features

- Bright white LED engine
- 300 W Ultra-Bright engine
- Fixture output greater than 9,700 lumens
- 6.5°-48° zoom
- VersaColor - 60 unique colors spread across the entire color gamut, organized and presented via a single color control channel
- QuadraTech - Splits the light beam into four distinct colors in 64 different combinations
- Variable Medium diffusion
- Six position plus open rotating gobo wheel with replaceable gobos
- Nine position plus open fixed gobo wheel
- Prism for compound beam and projection effects

ORDERING INFORMATION

Model	Description
MS-UB-MI	Ministar, Black, Ultra-Bright in Molded Insert, Boxed
RC-MS	Road Case, Holds up to Three (3) Ministar Fixtures in Molded Insert

Color Options: Fixtures ship standard in black. White available by request.
Included Accessories: Fixture includes two (2) 107 mm Three-hole Omega brackets, one (1) fixture power cord with bare ends to powerCON® TRUE1™ TOP input, and a safety cable.

Accessories

Model	Description
MS-TH	Top Hat, Snoot for Ministar
2500B7029-A	Fixture Power Cord Upgrade, 6 ft TRUE1 TOP to Parallel Blade U-Ground (Edison)
2560B7005	Fixture Power Cord Upgrade, Stage Pin to powerCON TRUE1 TOP, 20 A
2560B7006	Fixture Power Cord Upgrade, L6-20 to powerCON TRUE1 TOP, 20 A
2560B7007	Fixture Power Cord Upgrade, L5-20 to powerCON TRUE1 TOP, 20 A
67040007	MegaClaw™
55040014	Cheeseborough 2" Alloy 1/2 Coupler Truss Clamp
67040010	Mini-Claw™



Contact:
Alana Shepherd
ashepherd@uidaho.edu
917 830 6922

2024 Lighting Acquisition

ISSUE FOR BID



Fixture Information	Manufacturer	Part Number				
	ETC	LS-UB-MI-2550A1200-B+2500B7029-A				
	Mounting	Control Type	Input Watts	Voltage	Ballast/Trans/Drv	
Source Info	OMEGA/C-CLAMP	DMX	300 W	120	INTEGRAL ELECT	
	Lamp Manufacturer	Lamp Info/Part #	# Lamps	Lamp Watts	Color/CCT	Finish
Notes	N/A	N/A	1	300 W	DUAL-WHEEL	BLACK

Description	LED PROFILE WITH 6.5°-48° ZOOM, 9,700 LUMEN OUTPUT, DUAL COLOR WHEELS TUNED TO PRODUCE OVER 60 SPECIFIC INDUSTRY-STANDARD GEL COLORS, ROTATING GOBO WHEEL, AND PRISM.	Location	VARIOUS	Type	MC

ETC

Ministar
High End Systems

PRODUCT SPECIFICATIONS

Source

Engine	Ultra-Bright
LED Details	300 W
Field Lumens	See photometrics on page 4
Max Integrating Sphere Lumens	9,700 lumens
LPW	31
LED Life	50,000 hours
Native CCT	8000 K

Color

Color Mixing	60 unique colors mixed via dual color wheels
Color Temperature	8000 K Native, Soft White, Warm White, Neutral White, and Full CTB
Color Wheel	Two wheels with seven (7) colors on each

Optical

Beam Angle Range	6.5°-48°
Gate Size	21 mm
Aperture Size	95 mm
Pattern Projection	- Rotating and indexable wheel with six (6) interchangeable patterns plus open - Fixed wheel with nine (9) non-interchangeable patterns plus open
Prism	Five-facet star rotating prism
Diffusion	Linear insertable medium diffusion
Flicker Control/Fz Range	2.4 kHz and 16 kHz

Control

Input Method	DMX (5-pin)
Protocols	DMX via RS-485
Modes (Footprint)	Standard (31)
RDM Functions	Yes
UI Type	Simple text display with 4-button navigational control
Local Control	Yes
Dimming Performance	16-bit, DMX-controlled

Notes: All LED sources experience some lessening of light output and some color shift over time. LED output will vary with thermal conditions. Thermal conditions can be affected by ambient temperatures and orientation.

Electrical

Voltage Range	100-240 V 50-60 Hz
Input Method	powerCON TRUE1 TOP
Listed Max Wattage	450 W
Current (Max)	4.5 A @ 100 V
Inrush (First Half Cycle)	120 V: 26.8 A 230 V: 120.0 A
Fixtures per Circuit	3 fixtures (15 A power thru connector) 4 fixtures (R20 module or similar) Note: TRUE1 TOP connector rated for 20 A (120 V / 60 Hz) and 16 A (240 V / 50 Hz)

Thermal

Ambient Operating Temp	-10°C-40°C (14°F-104°F)
Fan Mode	Standard, Studio, and Linear Continuous control channel

Physical

Pan and Tilt Range	540° pan, 256° tilt
Max Pan/Tilt Speed	360° in 1.70 s / 180° in 0.96 s
Materials	Steel and aluminum frame with molded plastic covers
Color Options	Black, white by request
Mounting Options	Any orientation
IP Rating	IP20
Weight	16.2 kg (35.7 lb)
Included Accessories	powerCON TRUE1 TOP to bare end fixture tail Two (2) 107 mm, three-hole clamp brackets Safety cable

Warranty

Fixture Warranty	Five (5) years for light engine Two (2) years for complete fixture
Warranty Details	http://www.etcconnect.com/Support/SupportPages

Regulatory & Compliance

Approved regulatory standards	eTULip Listed Listed to IUL 1573 Certified to CSA STD C22.2 No. 166 CE Compliant UKCA Compliant
Complies to the RoHS directive	Yes

Safety

Safety	Minimum distance to illuminated surface = 2.0 m (6.6 ft) Minimum distance from fixture head to combustible materials = 0.3 m (1.0 ft)
--------	--

Contact:
Alana Shepherd
ashepherd@uidaho.edu
917 830 6922

2024 Lighting Acquisition
ISSUE FOR BID

University of Idaho
Theatre Arts



Fixture Information	Manufacturer	Part Number					
	ETC	LS-UB-MI-2550A1200-B+2500B7029-A					
	Mounting	Control Type	Input Watts	Voltage	Ballast/Trans/Drv		
Source Info	Lamp Manufacturer	Lamp Info/Part #	# Lamps	Lamp Watts	Color/CCT	Finish	
Notes	N/A	N/A	1	300 W	DUAL-WHEEL	BLACK	

Description

LED PROFILE WITH 6.5°-48° ZOOM, 9,700 LUMEN OUTPUT, DUAL COLOR WHEELS TUNED TO PRODUCE OVER 60 SPECIFIC INDUSTRY-STANDARD GEL COLORS, ROTATING GOBO WHEEL, AND PRISM.

Location

VARIOUS

Type

MC

ETC

Ministar
High End Systems

FEATURE DETAILS

Fixed Wheel Details

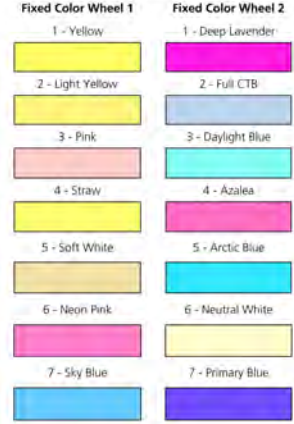
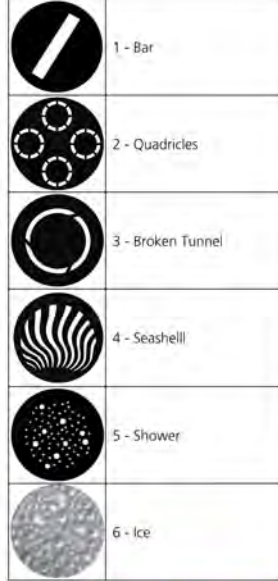
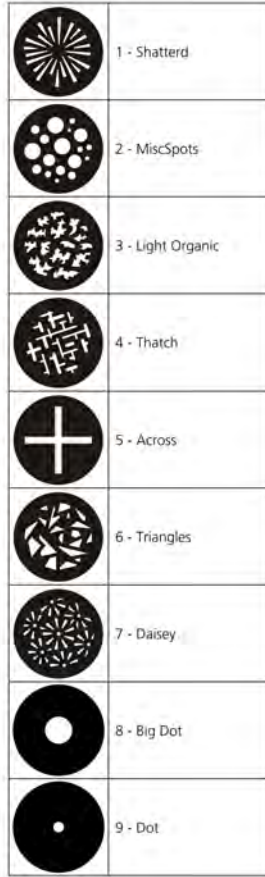
Wheel Diameter	138 mm (5.43 in)
Materials	1.0 mm aluminum

Rotating Gobo Details

Outside Diameter	30 mm (1.18 in)
Image Diameter	15 mm (0.59 in)
Materials	0.5 mm aluminum 1.1 mm glass Borofloat®

Fixed Color Wheel Details

Shape	Fixed wedge
Materials	1.1 mm glass Borofloat



Utilizing the colors on the fixed color wheels, Ministar achieves 60 unique colors spread throughout the color gamut.



Contact:
Alana Shepherd
ashepherd@uidaho.edu
917 830 6922

2024 Lighting Acquisition
ISSUE FOR BID

University of Idaho
Theatre Arts



Fixture Information	Manufacturer		Part Number				
	ETC		LS-UB-MI-2550A1200-B+2500B7029-A				
	Mounting		Control Type		Input Watts	Voltage	Ballast/Trans/Drv
Source Info	OMEGA/C-CLAMP		DMX		300 W	120	INTEGRAL ELECT
	Lamp Manufacturer	Lamp Info/Part #	# Lamps	Lamp Watts	Color/CCT		Finish
Notes	N/A	N/A	1	300 W	DUAL-WHEEL		BLACK

Description	LED PROFILE WITH 6.5°-48° ZOOM, 9,700 LUMEN OUTPUT, DUAL COLOR WHEELS TUNED TO PRODUCE OVER 60 SPECIFIC INDUSTRY-STANDARD GEL COLORS, ROTATING GOBO WHEEL, AND PRISM.	Location	VARIOUS	Type
				MC

ETC

Ministar
High End Systems

PHOTOMETRIC DATA

Ministar - Ultra-Bright

	Degree	Candela	Field Lumens	Power Usage	Lumens Per Watt
Narrow	6.5°	587,400	3,416	300 W	11
Medium	26°	84,100	9,705	300 W	32
Wide	48°	35,600	8,448	300 W	28

Narrow - 6.5°

Throw Distance	10 ft 3.0 m	20 ft 6.1 m	30 ft 9.1 m	50 ft 15.2 m	200 ft 61 m
Field Diameter	1.1 ft 0.34 m	2.3 ft 0.71 m	3.4 ft 1.04 m	5.7 ft 1.74 m	22.7 ft 6.92 m
Illuminance (fc)	5,874	1,469	653	235	15
Illuminance (lux)	63,200	15,800	7,022	2,528	158

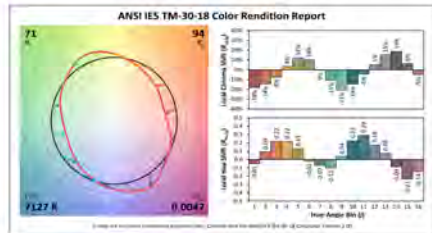
Medium - 26°

Throw Distance	10 ft 3.0 m	20 ft 6.1 m	30 ft 9.1 m	50 ft 15.2 m	200 ft 61 m
Field Diameter	4.6 ft 1.41 m	9.2 ft 2.82 m	13.9 ft 4.23 m	23.1 ft 7.04 m	92.3 ft 28.15 m
Illuminance (fc)	841	211	94	34	3
Illuminance (lux)	9,040	2,260	1,004	362	23

Wide - 48°

Throw Distance	10 ft 3.0 m	20 ft 6.1 m	30 ft 9.1 m	50 ft 15.2 m	200 ft 61 m
Field Diameter	9.3 ft 2.84 m	18.7 ft 5.70 m	28 ft 8.54 m	46.6 ft 14.21 m	186.5 ft 56.85 m
Illuminance (fc)	356	89	40	15	1
Illuminance (lux)	3,828	957	425	153	10

To determine center beam illumination in footcandles at any throw distance, divide candela by the throw distance squared.
Metric conversions: For meters, multiply feet by 0.3048.
For lux, multiply footcandles by 10.76.



Additional Color Metrics	
CRI R _a (R _a)	70 (-36)
TLCI	-47

Contact:
Alana Shepherd
ashepherd@uidaho.edu
917 830 6922

2024 Lighting Acquisition
ISSUE FOR BID

University of Idaho
Theatre Arts



Fixture Information	Manufacturer	Part Number				
	ETC	LS-UB-MI-2550A1200-B+2500B7029-A				
	Mounting	Control Type	Input Watts	Voltage	Ballast/Trans/Drv	
Source Info	OMEGA/C-CLAMP	DMX	300 W	120	INTEGRAL ELECT	
	Lamp Manufacturer	Lamp Info/Part #	# Lamps	Lamp Watts	Color/CCT	Finish
Notes	N/A	N/A	1	300 W	DUAL-WHEEL	BLACK

Description

LED PROFILE WITH 6.5°-48° ZOOM, 9,700 LUMEN OUTPUT, DUAL COLOR WHEELS TUNED TO PRODUCE OVER 60 SPECIFIC INDUSTRY-STANDARD GEL COLORS, ROTATING GOBO WHEEL, AND PRISM.

Location

VARIOUS

Type

MC

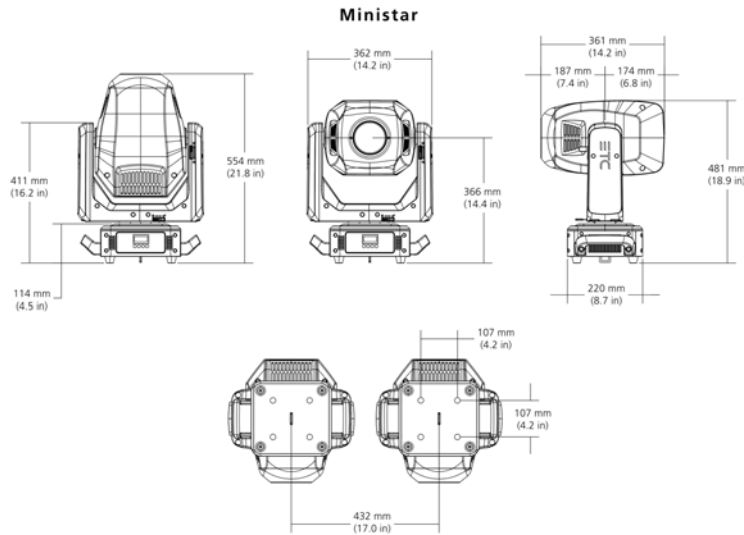
ETC

Ministar
High End Systems

Product Dimensions

Model	Height		Width		Depth		Weight	
	in	mm	in	mm	in	mm	lb	kg
Ministar**	21.8	554	14.2	362	8.7	220	35.7	16.2
Ministar in Box with Molded Insert	26.6	676	21.1	536	14.9	378	62.7	28.5

**Does not include mounting hardware



Power Table

VAC	Amps	Hz	Watts	VA	PF
100	4.8	50	480	509	0.99
120	4.0	60	480	497	0.99
200	2.5	50	480	484	0.98
208	2.4	60	480	489	0.97
220	2.3	50	479	491	0.97
230	2.2	50	479	495	0.97
240	2.1	60	473	492	0.95

Contact:
Alana Shepherd
ashepherd@uidaho.edu
917 830 6922

2024 Lighting Acquisition
ISSUE FOR BID

University of Idaho
Theatre Arts



5

Fixture Information	Manufacturer	Part Number				
	ETC	LS-UB-MI-2550A1200-B+2500B7029-A				
	Mounting	Control Type	Input Watts	Voltage	Ballast/Trans/Drv	
Source Info	Lamp Manufacturer	Lamp Info/Part #	# Lamps	Lamp Watts	Color/CCT	Finish
Notes	N/A	N/A	1	300 W	DUAL-WHEEL	BLACK

Description	LED PROFILE WITH 6.5°-48° ZOOM, 9,700 LUMEN OUTPUT, DUAL COLOR WHEELS TUNED TO PRODUCE OVER 60 SPECIFIC INDUSTRY-STANDARD GEL COLORS, ROTATING GOBO WHEEL, AND PRISM.	Location	VARIOUS	Type
				MC

ETC

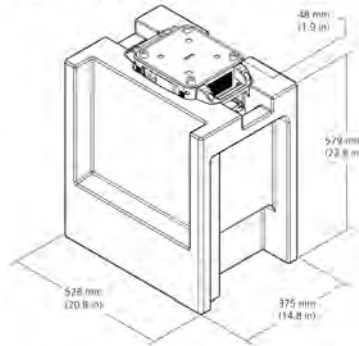
Ministar*
High End Systems

ADDITIONAL ORDERING INFORMATION

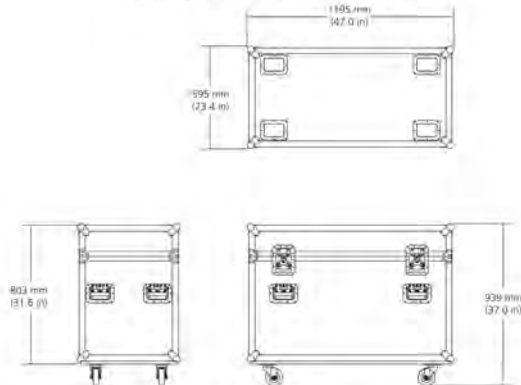
Additional Accessories

Model Number	Description
2599A2000	Omega bracket, 107 mm Three-hole (included)
H7180023	Omega bracket, 107 mm Single-hole
H7000012	Galvanized safety cable with spring snap

Molded Case Insert Dimensions



Optional Roadcase Dimensions



Corporate Headquarters • Middleton, WI, USA
 Global Offices • London, UK • Rome, IT • Heidelberg, DE • Paris, FR • Hong Kong
 Dubai, UAE • Singapore • New York, NY • Orlando, FL • Los Angeles, CA • Austin, TX
 ©2014 ETC. All Rights Reserved. All product information and specifications subject to change. Rev B 2014/10
 *Trademarks and patent info: [ETC](#) • [Ministar](#) • [High End Systems](#) • [ETC](#)
etcconnect.com

Contact:
Alana Shepherd
ashepherd@uidaho.edu
917 830 6922

2024 Lighting Acquisition
ISSUE FOR BID

University of Idaho
Theatre Arts



Fixture Information	Manufacturer	Part Number				
	ETC	LS-UB-MI-2550A1200-B+2500B7029-A				
	Mounting	Control Type	Input Watts	Voltage	Ballast/Trans/Drv	
Source Info	Lamp Manufacturer	Lamp Info/Part #	# Lamps	Lamp Watts	Color/CCT	Finish
	N/A	N/A	1	300 W	DUAL-WHEEL	BLACK

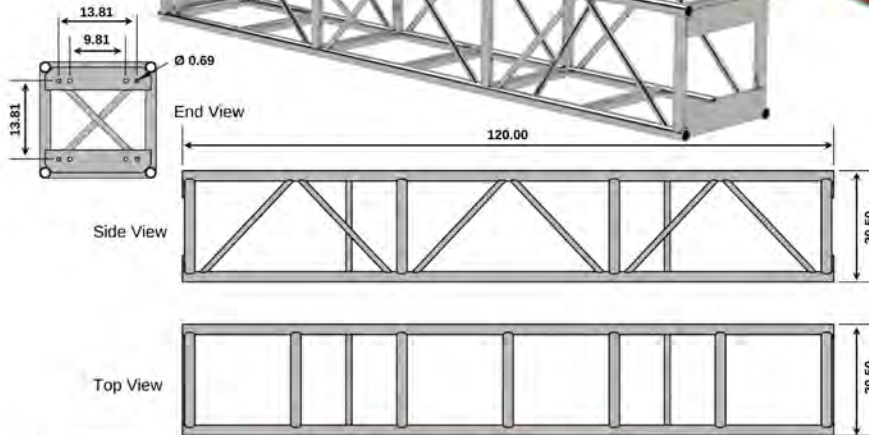
Notes

Description 20.5" x 20.5" BOX TRUSS

Location HARTUNG FOH CEILING

Type

TA



20.5" x 20.5" HD PLATED BOX TRUSS

TRUSS SPAN	UNIFORMLY DISTRIBUTED LOAD		CENTER POINT LOAD		THIRD POINT LOAD		QUARTER POINT LOAD	
	LOAD	DEFLECTION	LOAD	DEFLECTION	LOAD	DEFLECTION	LOAD	DEFLECTION
10'-0"	687 lb./ft.	0.056 in.	6,245 lbs.	0.081 in.	3,436 lbs.	0.077 in.	2,291 lbs.	0.071 in.
20'-0"	307 lb./ft.	0.405 in.	3,069 lbs.	0.328 in.	2,302 lbs.	0.419 in.	1,534 lbs.	0.389 in.
30'-0"	132 lb./ft.	0.915 in.	1,986 lbs.	0.749 in.	1,490 lbs.	0.947 in.	993 lbs.	0.881 in.
40'-0"	71 lb./ft.	1.638 in.	1,427 lbs.	1.355 in.	1,070 lbs.	1.692 in.	714 lbs.	1.580 in.
50'-0"	43 lb./ft.	2.583 in.	1,078 lbs.	2.164 in.	808 lbs.	2.662 in.	539 lbs.	2.496 in.

LOAD DATA CERTIFIED BY INDEPENDENT ENGINEER - SINGLE USE INDOOR ONLY

FEATURES
 Highly Polished Aluminum Tubing
 1.9" OD 6061-T6 Aluminum Tube Schd #40
 0.145" Wall Thickness
 1.05" OD Aluminum Bracing
 Connecting Hardware Included
 Fabricated By Certified Welders
 Custom Lengths & Corners Available
 Powder Coating Available

ORDERING INFORMATION

Item No.	Dimensions	Weight
9-02-120	20.5" x 20.5" x 10'	85 lbs.
9-02-096	20.5" x 20.5" x 8'	77 lbs.
9-02-060	20.5" x 20.5" x 5'	58 lbs.
9-02-030	20.5" x 20.5" x 2.5'	39 lbs.
9-02-004	4-Way Corner	45 lbs.
9-02-005	5-Way Corner	51 lbs.
94-800	5/8" Gr 8 Truss Bolt Set 4/pk	1.5 lbs.

11 800-883-0008 | 757-591-9371 | APPLIEDNN.COM | PROUDLY MADE IN AMERICA SINCE 1981

Contact:
 Alana Shepherd
 ashepherd@uidaho.edu
 917 830 6922

2024 Lighting Acquisition
 ISSUE FOR BID

University of Idaho
 Theatre Arts



Fixture Information	Manufacturer	Part Number				
	APPLIED TRUSS	9-02-120				
	Mounting	Control Type	Input Watts	Voltage	Ballast/Trans/Drv	
Source Info	CHAIN MOTOR	N/A		N/A	N/A	
	Lamp Manufacturer	Lamp Info/Part #	# Lamps	Lamp Watts	Color/CCT	Finish
	N/A	N/A			N/A	ALUMINUM

Notes DEALER TO INCLUDE ALL PARTS AND ACCESSORIES NECESSARY FOR A COMPLETE 30'-0" STRUCTURE.

Description	1-TON CHAIN MOTOR	Location	HARTUNG FOH CEILING	Type
				TB



LODESTAR® CLASSIC

ELECTRIC CHAIN MOTOR

CAPACITIES 1/8 to 2 Ton	LIFT 60 feet standard (other lifts available)	SPEEDS 5 to 100 feet/minute	VOLTAGES 1-phase & 3-phase available
-----------------------------------	---	---------------------------------------	--

The legendary CM-ET Classic Lodestar electric chain motor is back for a command performance. Leading the entertainment industry for more than three decades, this workhorse offers best-in-class performance, safety and reliability. The Classic Lodestar is universally trusted by rigging professionals around the world and is ideal for touring concerts and productions both indoors and out.

BENEFITS & FEATURES

LOW VOLTAGE CONTROL
110 volt for long cable runs without voltage drop. 24 and 48 volt optional. Single-phase and three-phase also available.

IP66 RATING
An Ingress Protection (IP) Rating of 66 indicates that the Lodestar Classic offers protection from dust and high-pressure water – making this unit ideal for use in outdoor environments.

- **HIGH-PERFORMANCE COMPOSITE CORD GRIPS**
Prevent water from entering the motor body at the pendant and power cord points of entry.
- **CONTINUOUS GASKETS**
Create a waterproof seal between the gearbox assembly and the back frame and motor covers.
- **O-RINGS ON LIFT WHEEL BEARING**
Prevent water from entering the motor body through the lift wheel opening.

LONG SERVICE LIFE

- Standard AC brake is designed for a long service life.
- Lifetime grease-lubricated gear box ensures better wear and smooth operation. Heavy-duty-rated motors.
- Standard external chain guide helps extend chain life.

DUTY CYCLE
H-4 duty rated for heavy-duty applications. 2M+ FEM class. 50% duty cycle or 300 on/off per hour.

OVERLOAD PROTECTOR
Helps prevent lifting of dangerous overloads.

OVER-TRAVEL PREVENTION
Adjustable limit switch prevents load from over-travel in both up and down directions.

LIGHTWEIGHT, CAST-ALUMINUM HOUSING
Durable and strong cast-aluminum housing is black powder coated for low visibility.

METRIC RATED ROAD READY
Easy to stow and travel.

LIFETIME WARRANTY
The industry's best warranty against manufacturing and material defects.



6 ENTERTAINMENT PRODUCT CATALOG PHONE: 800.888.0995 WWW.CM-ET.COM

Contact:
Alana Shepherd
ashepherd@uiidaho.edu
917 830 6922

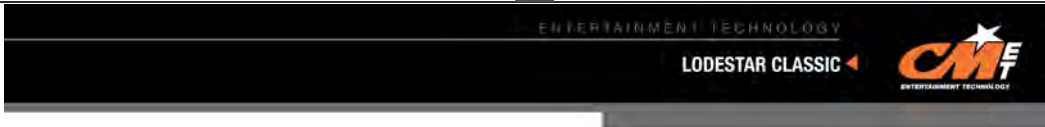
2024 Lighting Acquisition
ISSUE FOR BID

University of Idaho
Theatre Arts



Fixture Information	Manufacturer		Part Number				
	CM		L-3609CF				
	Mounting		Control Type		Input Watts	Voltage	Ballast/Trans/Drv
Source Info	CHAIN		N/A		136 9 W	115	N/A
	Lamp Manufacturer	Lamp Info/Part #	# Lamps	Lamp Watts	Color/CCT		Finish
Notes	N/A						
	RIGGING CONSULTANT TO VERIFY QUANTITY AND MOTOR SIZE. DEALER TO INCLUDE ALL PARTS AND ACCESSORIES NECESSARY FOR A SAFE AND WORKING SYSTEM, INCLUDING MOTOR CONTROL.						

Description	1-TON CHAIN MOTOR	Location	HARTUNG FOH CEILING	Type
				TB



Contact:
Alana Shepherd
ashepherd@uidaho.edu
917 830 6922

2024 Lighting Acquisition
ISSUE FOR BID

University of Idaho
Theatre Arts

OPTIONAL FEATURES

SINGLE OR DOUBLE DC BRAKE

Field Installation Kit available for single or double DC brake. The double option features two independent acting DC brakes for redundant braking.

DOUBLE LIMIT SWITCH

Adjustable screw limit switch that automatically stops the hook at any predetermined point when either hoisting or lifting.

VARIABLE SPEED UNITS AVAILABLE (VFD)

Varistar or variable speed versions available. Please contact your CM-ET sales representative for details.

CM ALLOY LATCHLOK® HOOKS

Latchlok® hooks combine innovative design and solid alloy steel, I-beam construction offers more reliable performance than any other hook on the market.

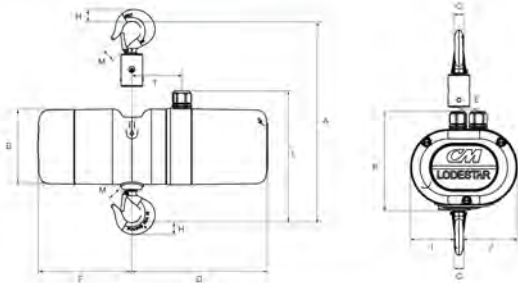
ENCODERS

Available for positioning incremental and absolute.

EASY-TO-MOUNT, CLOTH-TYPE CHAIN BAGS

DIRECT CONTROL UNIT

Featuring a single cable, a unit can be used as part of a system with multiple units with a single control. Lodestar is compatible with most direct control motor controllers.



DIMENSIONS

Model	Dimensions (in.)												
	A	B	C	D	E	F	H	I	J	L	M	P	T
B, C, F	16-5/16	6-1/16	3/4	11	1-5/8	7-5/8	1	3-15/16	4-3/4	10-5/8	1-1/8	7-15/16	4-1/16
J, JJ, L, LL	18-13/16	7-5/8	7/8	9-1/2	2-7/16	10-3/4	1-1/8	5-3/8	7-3/16	12-1/4	1-1/4	9-3/16	5-3/8
R, RR	25-13/16	7-5/8	1-1/8	9-1/2	2-7/16	10-11/16	1-1/2	6-1/2	6-1/8	12-7/8	1-1/2	9-1/8	5-5/17

SPECIFICATIONS

Model	Maximum Capacity		Hoist Lifting Speed				Less Chain		10 Foot Lift		60 Foot Lift	
							Product Code		Product Code		Product Code	
	Tons	kg	60hz / FPM	60hz / MPM	50hz / FPM	50hz / MPM	115V	230/460V	115V	230/460V	115V	230/460V
B	1/4	250	16	4.9	13.3	4.1	3140	3181	3140CF	3181CF	3140CF	3181CF
C	1/4	250	32	9.8	26.7	8.1	3200	3182	3200CF	3182CF	3200CF	3182CF
F	1/2	500	16	4.9	13.3	4.1	2867	3183	2867CF	3183CF	2867CF	3183CF
J	1/2	500	32	9.8	26.7	8.1	3394	3184	3394CF	3184CF	3394CF	3184CF
JJ	1/2	500	64	19.5	53.3	16.3	-	4275	-	4275CF	-	4275CF
L	1	1000	16	4.9	13.3	4.1	3609	3185	3609CF	3185CF	3609CF	3185CF
LL	1	1000	32	9.8	26.7	8.1	-	3197	-	3187CF	-	3187CF
R	2	2000	8	2.4	6.7	2	4238	3186	4238CF	3186CF	4238CF	3186CF
RR	2	2000	16	4.9	13.3	4.1	-	3188	-	3188CF	-	3188CF

WWW.CM-ET.COM

ENTERTAINMENT PRODUCT CATALOG
PHONE: 800.888.0985

Fixture Information	Manufacturer	Part Number					
	CM	L-3609CF					
Source Info	Mounting	Control Type			Input Watts	Voltage	Ballast/Trans/Drv
	CHAIN	N/A			136 9 W	115	N/A
Notes	Lamp Manufacturer	Lamp Info/Part #		# Lamps	Lamp Watts	Color/CCT	Finish
	N/A	N/A		1	136 9 W	N/A	BLACK

RIGGING CONSULTANT TO VERIFY QUANTITY AND MOTOR SIZE. DEALER TO INCLUDE ALL PARTS AND ACCESSORIES NECESSARY FOR A SAFE AND WORKING SYSTEM, INCLUDING MOTOR CONTROL.

Description	1-TON CHAIN MOTOR	Location	HARTUNG FOH CEILING	Type
				TB



LODESTAR® CLASSIC

ELECTRIC CHAIN MOTOR

KEY COMPONENTS

- 1. 4-POCKET LIFT WHEEL**
Lift wheel with improved water and dust sealing features for IP66 level protection.
- 2. ADJUSTABLE LIMIT SWITCH**
Easy-to-adjust screw limit switch automatically stops the hook at any predetermined point when either lifting or lowering, preventing overtravel. (Low-voltage unit only)
- 3. PROVEN BRAKE DESIGN**
Heavy-duty AC electromechanical brake has been field tested in more than one million Lodestar hoists worldwide. Optional DC brake and double DC brake are also available.
- 4. EASY-ACCESS CONTROL PANEL**
Finger-safe wiring and plug-and-play connectors on the control panel allow for quick voltage change from 208/230 to 460. Prevents improper voltage connections that may cause hoist damage. Easy access to terminal strips and simple fuse installation. (Low-voltage units only)
- 5. ZINC-PLATED LOAD CHAIN**
Designed and manufactured in the USA by Columbus McKinnon, our zinc-plated Star Grade load chain protects against corrosion. Optional black finish available.
- 6. EXTERNAL CHAIN GUIDE**
The standard external chain guide provides efficient chain management for longer chain life. It also protects the hoist from damage caused by cross linked chain, as well as damage to the internal guides and hoist frame. The guide is easily replaced and can be retrofitted to older units in the field.



Contact:
Alana Shepherd
ashepherd@uidaho.edu
917 830 6922

2024 Lighting Acquisition
ISSUE FOR BID

University of Idaho
Theatre Arts

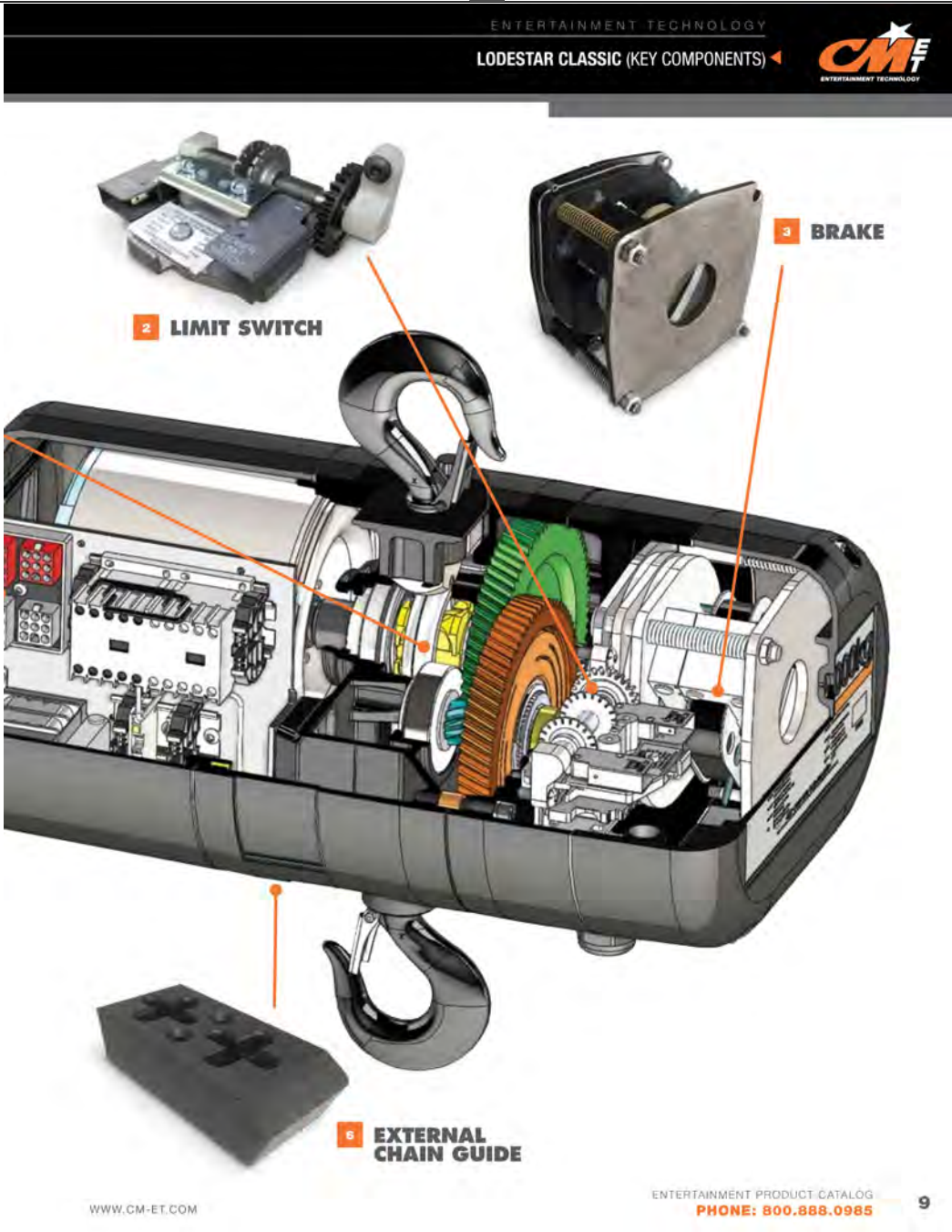
8 ENTERTAINMENT PRODUCT CATALOG
PHONE: 800.888.0995

WWW.CM-ET.COM

Fixture Information	Manufacturer	Part Number							
	CM	L-3609CF							
	Mounting	CHAIN	Control Type	N/A	Input Watts	136 9 W	Voltage	115	Ballast/Trans/Drvr
Source Info	Lamp Manufacturer	Lamp Info/Part #	# Lamps	Lamp Watts	Color/CCT	Finish			
	N/A	N/A	1	136 9 W	N/A	BLACK			

Notes
RIGGING CONSULTANT TO VERIFY QUANTITY AND MOTOR SIZE. DEALER TO INCLUDE ALL PARTS AND ACCESSORIES NECESSARY FOR A SAFE AND WORKING SYSTEM, INCLUDING MOTOR CONTROL.

Description	1-TON CHAIN MOTOR	Location	HARTUNG FOH CEILING	Type
				TB



Contact:
Alana Shepherd
ashepherd@uidaho.edu
917 830 6922

2024 Lighting Acquisition
ISSUE FOR BID

University of Idaho
Theatre Arts



Fixture Information	Manufacturer	Part Number										
	CM	L-3609CF										
	Mounting	CHAIN	Control Type	N/A	Input Watts	136 9 W	Voltage	115	Ballast/Trans/Drvr	N/A		
Source Info	Lamp Manufacturer	N/A	Lamp Info/Part #	N/A	# Lamps	1	Lamp Watts	136 9 W	Color/CCT	N/A	Finish	BLACK
Notes	RIGGING CONSULTANT TO VERIFY QUANTITY AND MOTOR SIZE. DEALER TO INCLUDE ALL PARTS AND ACCESSORIES NECESSARY FOR A SAFE AND WORKING SYSTEM, INCLUDING MOTOR CONTROL.											

Description	1-TON CHAIN MOTOR	Location	HARTUNG FOH CEILING	Type
				TB



LODESTAR®

ELECTRIC CHAIN MOTOR

CAPACITIES 1/8 to 2 Ton	LIFT 60 feet standard (other lifts available)	SPEEDS 5 to 100 feet/minute	VOLTAGES 1-phase & 3-phase available
-----------------------------------	---	---------------------------------------	--

From world touring rock concerts and Broadway musicals to Las Vegas shows and sporting events, the CM Lodestar is the trusted industry workhorse.

BENEFITS & FEATURES

- IP66 RATING**
An Ingress Protection (IP) Rating of 66 indicates that the Lodestar offers protection from dust and high-pressure water – making this unit ideal for use in outdoor environments.
- HIGH-PERFORMANCE COMPOSITE CORD GRIPS**
Prevent water from entering the motor body at the pendant and power cord points of entry.
- CONTINUOUS GASKETS**
Create a waterproof seal between the gearbox assembly and the back frame and motor covers.
- O-RINGS ON LIFT WHEEL BEARING**
Prevent water from entering the motor body through the lift wheel opening.
- 5 POCKET LIFTWHEEL**
Improved chain wear & smooth lifting.
- CLUTCH OUTSIDE GEAR TRAIN**
Meets international standards.
- PRECISION HELICAL GEARING**
For quieter operation.
- REDESIGNED CONTROL PANEL**
For easier access.
- HEAVY DUTY DC BRAKE**
Designed for a long service life, the brake location allows for quick access & easy inspection.
- LOW VOLTAGE CONTROL**
110 Volt for long cable runs without voltage drop. 24 & 48 Volt optional. (Low Voltage Unit Only)
- DURABLE & LIGHTWEIGHT HOUSING**
Cast aluminum. Black powder coated finish for low visibility.
- GEARING**
Helical design for long wear life and smooth operation.
- LOAD CHAIN**
Designed and manufactured by Columbus McKinnon. Zinc plated to protect against corrosion. Optional black finish available.
- DUTY CYCLE**
H-4 duty rated for heavy duty application, 2M+ FEM class. 50% Duty Cycle or 300 on/off per hour.
- ELECTRICAL**
Finger safe wiring meets all electrical codes. Quick change plugs allow for voltages 208 through 480. Prevents improper voltage connections which can cause hoist damage. (Low Voltage Unit Only)
- ADJUSTABLE LIMIT SWITCH**
Adjustable screw limit switch that will automatically stop the hook at any predetermined point when either lifting or lowering, preventing overtravel. (Low Voltage Unit Only)
- OVERLOAD PROTECTOR**
Designed to prevent lifting of excessive overloads. Helps prevent lifting of dangerous overloads.
- METRIC RATED MEETS REQUIREMENTS**
Meets or exceeds world standards.
- ROAD READY**
Easy to stow and travel.
- LIFETIME WARRANTY**
The industry's best.



10 ENTERTAINMENT PRODUCT CATALOG
PHONE: 800.888.0995

WWW.CM-ET.COM

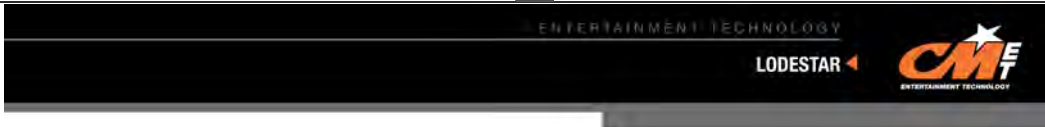
Contact:
Alana Shepherd
ashepherd@uidaho.edu
917 830 6922

2024 Lighting Acquisition
ISSUE FOR BID

University of Idaho
Theatre Arts



Fixture Information	Manufacturer	Part Number				
	CM	L-3609CF				
	Mounting	CHAIN	Control Type	Input Watts	Voltage	Ballast/Trans/Drv
Source Info	Lamp Manufacturer	Lamp Info/Part #	# Lamps	Lamp Watts	Color/CCT	Finish
	N/A	N/A	1	136 9 W	N/A	BLACK
Notes	RIGGING CONSULTANT TO VERIFY QUANTITY AND MOTOR SIZE. DEALER TO INCLUDE ALL PARTS AND ACCESSORIES NECESSARY FOR A SAFE AND WORKING SYSTEM, INCLUDING MOTOR CONTROL.					



Contact:
Alana Shepherd
ashepherd@uidaho.edu
917 830 6922

2024 Lighting Acquisition
ISSUE FOR BID

University of Idaho
Theatre Arts

OPTIONAL FEATURES

- DOUBLE DC BRAKE**
Two independent acting DC brakes for redundant braking. Field installation kit available.
- AC ELECTRIC BRAKE**
- DOUBLE LIMIT SWITCH**
Adjustable screw limit switch that will automatically stop the hook at any predetermined point when either hoisting or lifting.
- ENCODERS**
Available for positioning incremental and absolute.
- VARIABLE SPEED UNITS AVAILABLE (VFD)**
Varistar or variable speed versions available, please contact your CM-ET sales representative for details.

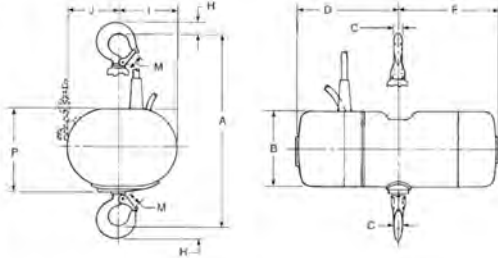
- CM ALLOY LATCHLOK® HOOKS**
Latchlok® hooks combine innovative design and solid alloy steel. I-beam construction offers more reliable performance than any other hook on the market.
 - One-hand operation and recessed push-button thumb release for smooth and dependable opening.
 - Hook remains locked until released by the operator, even if chain goes slack.
 - Sturdy forged heat treated I-beam construction for strong, yet lightweight hooks.
 - Lifetime warranty.
 - Made in U.S.A.

- CHAIN BAGS**
Cloth type bags easy-to-mount.
- DIRECT CONTROL UNITS**
The CM Lodestar is available as a Direct Control Unit. Featuring a single cable, this Direct Control Unit can be used as part of a system with multiple units with a single control. The Lodestar is compatible with most Direct Control Motor Controllers.



DIMENSIONS

Drawing Legend	Dimensions (in.)		
	Models B, C, F	Models J, JJ, L, LL	Models R, RR
A	16.20	18.5625	24.125
B	6.08	7.62	7.62
C	.67	.875	1.125
D	11.80	10.03	10.03
F	8.94	13.01	13.01
H	1	1.1875	1.5
I	4.46	6.93	5.57
J	4.22	5.69	7.05
M	1	1.125	1.3125
P	6.62	8.22	8.22



SPECIFICATIONS

Model	Rated Load (Ton) *	Product Code		Chain Size Used (in.)	Lifting Speed (FPM)	Motor HP	Full Load Amps		Work Rating		Reeving	Lift (Feet) ***
		115-1-60	230/460-3-60				HMI	FEM				
B	1/4	3140NH	3169NH	1/4	16	1/4	5.3	1.8/1.1	H4	2M+	1	60
C	1/4	3200NH	3201NH	1/4	32	1/2	7.9	2.2/1.3	H4	2M+	1	60
F	1/2	2867NH	2868NH	1/4	16	1/2	7.9	2.2/1.3	H4	2M+	1	60
J	1/2	3394NH	3482NH	5/16	32	1	11.9	3.7/2.2	H4	2M+	1	60
JJ	1/2	n/a	4271NH	5/16	64	2	n/a	7.9/5.0	H4	2M+	1	60
L	1	3609NH	3610NH	5/16	16	1	11.9	3.7/2.2	H4	2M+	1	60
LL	1	n/a	4273NH	5/16	32	2	n/a	7.9/5.0	H4	2M+	1	60
R	2	4238NH	4239NH	5/16	8	1	11.9	3.7/2.2	H4	2M+	2	60
RR	2	n/a	4272NH	5/16	16	2	n/a	7.9/5.0	H4	2M+	2	60

* Metric Tons
*** Lifts other than 60 ft. available
(Standard Units shipped with chain unless specified)
Consult factory for additional speeds and capacities

1-TON, SINGLE REEVED MODELS (Not applicable)

WWW.CM-ET.COM

ENTERTAINMENT PRODUCT CATALOG
PHONE: 800.888.0985 **11**

Fixture Information	Manufacturer		Part Number					
	CM		L-3609CF					
Source Info	Mounting		Control Type		Input Watts	Voltage	Ballast/Trans/Drv	
	CHAIN		N/A		136 9 W	115	N/A	
Notes	Lamp Manufacturer		Lamp Info/Part #		# Lamps	Lamp Watts	Color/CCT	Finish
	N/A		N/A		1	136 9 W	N/A	BLACK

RIGGING CONSULTANT TO VERIFY QUANTITY AND MOTOR SIZE. DEALER TO INCLUDE ALL PARTS AND ACCESSORIES NECESSARY FOR A SAFE AND WORKING SYSTEM, INCLUDING MOTOR CONTROL.

Description	1-TON CHAIN MOTOR	Location	HARTUNG FOH CEILING	Type
				TB



LODESTAR®

ELECTRIC CHAIN MOTOR

KEY COMPONENTS

- 1. LIFT WHEEL**
5 Pocket Liftwheel increases chain and liftwheel engagement while providing smoother lifting, less vibration and reduced chain wear when properly maintained.
- 2. LIMIT SWITCH**
Adjustable screw limit switch that will automatically stop the hook at any predetermined point when either hoisting or lifting.
- 3. BRAKE**
Heavy Duty DC Brake is standard. AC Brake and Double DC Brake are also available.
- 4. CONTROL PANEL**
Provides easy access to controls, plug and play connectors allow for quick voltage change for dual voltage motors. Fuses located on terminal strip (optional).
- 5. CLUTCH**
Designed to prevent lifting of excessive overloads. Located outside the gear box. Adjustable and easy to access.
- 6. LOAD CHAIN**
Sizes available from 1/4 in. to 5/16 in. Meets or exceeds many national and international standards. Zinc plated supplied as standard. Black phosphate finish available. 100% proof tested.
- 7. INTERNAL CHAIN GUIDE**
Stamped Steel guide coated for corrosion resistance and quiet operation, while keeping the load chain and liftwheel aligned.



Contact:
Alana Shepherd
ashepherd@uidaho.edu
917 830 6922

2024 Lighting Acquisition
ISSUE FOR BID

University of Idaho
Theatre Arts



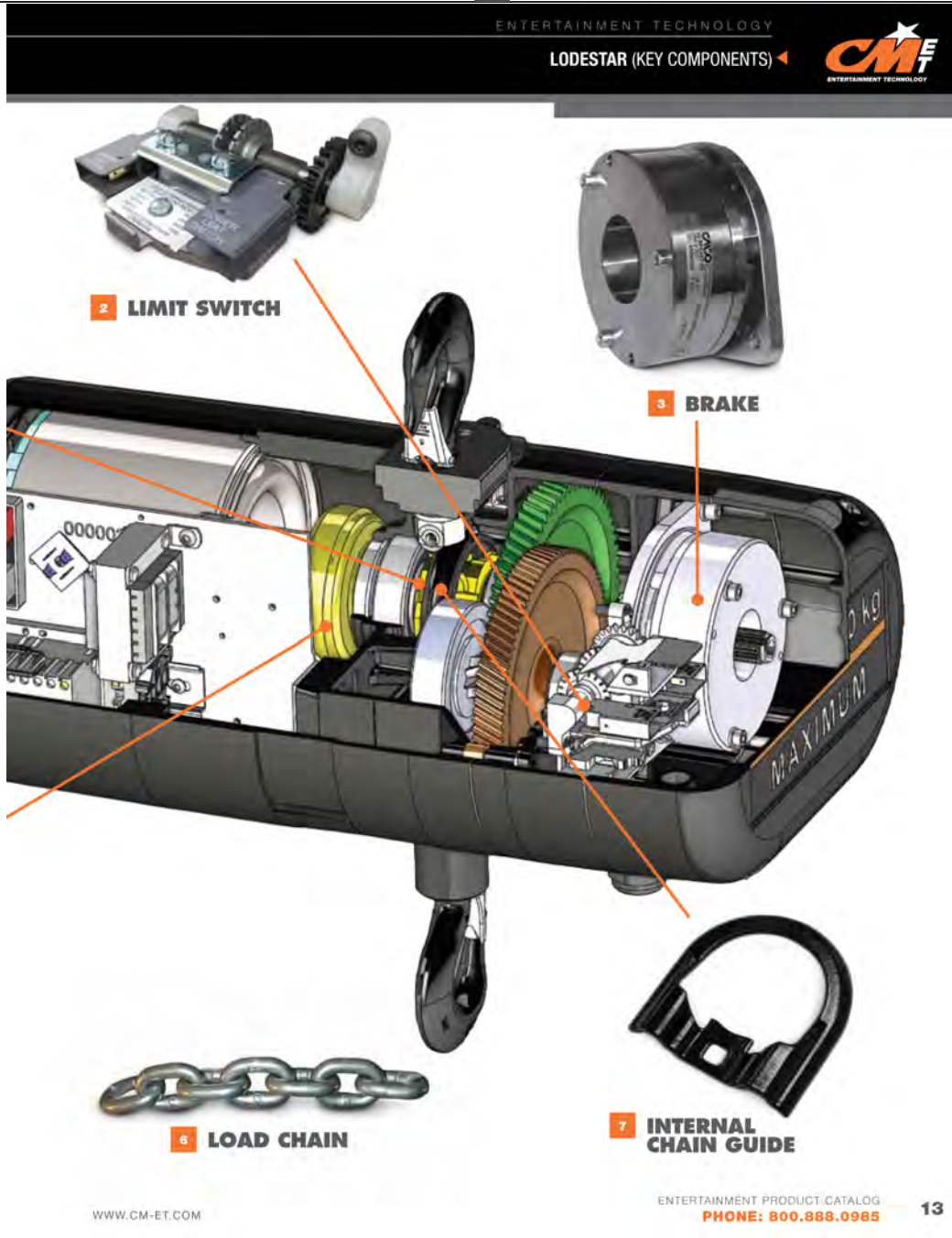
12

ENTERTAINMENT PRODUCT CATALOG
PHONE: 800.888.0995

WWW.CM-ET.COM

Fixture Information	Manufacturer	Part Number								
	CM	L-3609CF								
	Mounting	CHAIN	Control Type	N/A	Input Watts	136 9 W	Voltage	115	Ballast/Trans/Drv	N/A
Source Info	Lamp Manufacturer	Lamp Info/Part #	# Lamps	Lamp Watts	Color/CCT	Finish				
	N/A	N/A	1	136 9 W	N/A	BLACK				
Notes	RIGGING CONSULTANT TO VERIFY QUANTITY AND MOTOR SIZE. DEALER TO INCLUDE ALL PARTS AND ACCESSORIES NECESSARY FOR A SAFE AND WORKING SYSTEM, INCLUDING MOTOR CONTROL.									

Description	1-TON CHAIN MOTOR	Location	HARTUNG FOH CEILING	Type
				TB



Contact:
Alana Shepherd
ashepherd@uidaho.edu
917 830 6922

2024 Lighting Acquisition
ISSUE FOR BID

University of Idaho
Theatre Arts



Fixture Information	Manufacturer	Part Number								
	CM	L-3609CF								
	Mounting	CHAIN	Control Type	N/A	Input Watts	136 9 W	Voltage	115	Ballast/Trans/Drvr	N/A
Source Info	Lamp Manufacturer	Lamp Info/Part #	# Lamps	Lamp Watts	Color/CCT	Finish				
	N/A	N/A	1	136 9 W	N/A	BLACK				

Notes
RIGGING CONSULTANT TO VERIFY QUANTITY AND MOTOR SIZE. DEALER TO INCLUDE ALL PARTS AND ACCESSORIES NECESSARY FOR A SAFE AND WORKING SYSTEM, INCLUDING MOTOR CONTROL.